

NVP20M

Multi-Port



- » Multi-port version - distribute vacuum to multiple locations
- » High Productivity - non-clogging design reduces downtime
- » Strong hold - powerful vacuum up to 28"Hg [948mbar]
- » Mounts Easily - compact and lightweight
- » Fast Response - installs close to vacuum point
- » Efficient - minimal air consumption
- » Reliable operation - straight-through design with no moving parts

Technical Data

Fluid:
Filtered (50 Micron) unlubricated, non-corrosive dry gases

Operating Temperature
-30° to ~250° F (-34° to ~121°C)
20° to ~120° F (-7° to ~49°C)
(Valve Option)

Operating Pressure
80 PSI (5.5 bar) Standard or
60 PSI (4.1 bar)

Materials
Generator Body: Anodized Aluminum

Supply/Vacuum Line
1/4" OD for sizes 60 and 90
3/8" OD for sizes 100 and 150

Mounting Holes
Mounting holes accept 10-32 [M5] screws
Electrical
24V - 5% to 10% (VA/VD, VB/VE option)
12V - 5% to 10% (VC/VF option)

Power Consumption
1.6 watts

Response Times
8 milliseconds

Cycle Rate (cycles/second)
45 cycles/second

Average Valve Life
50 million cycles

Electrical Connection
11.8" Flying Lead

LED Indicator with Manual Override
Yes

Control Valve
12V (VC/VF option) or 24V normally closed (VA/VD option) or 24V normally open (VB/VE option)

Performance Level Designations
"L", "X" 0-10"Hg [0 to 339mbar] for low vacuum/high flow applications
"M", "Y" 0-20"Hg [0 to 677mbar]



for medium vacuum/high flow applications
"H", "Z" 0-28"Hg [0 to 948mbar] for high vacuum/standard flow applications
vacuum/high flow applications
Product options
Standard (NVP20)
Pneumatic blow-off (NVP2X)
Valve controlled blow-off (NVP20V)
Multi-port (NVP20M)
Air Saver (NVP20C)

Standard Models

| Part number | Valve | Max. Vacuum Level | Max. Vacuum Flow | Air Consumption | Silencer |
|---------------------|--------|-------------------|------------------|-----------------|---------------|
| NVP20M0-90M-S05A38 | None | 20"Hg | 1.40 SCFM | 1.40 SCFM | NST4 Silencer |
| NVP20M0-90H-S05A38 | None | 28"Hg | 1.20 SCFM | 1.80 SCFM | NST4 Silencer |
| NVP20M0-100M-S05A38 | None | 20"Hg | 2.10 SCFM | 1.80 SCFM | NST4 Silencer |
| NVP20M0-100H-S05A38 | None | 28"Hg | 2.00 SCFM | 2.80 SCFM | NST4 Silencer |
| NVP20M0-150M-S05A38 | None | 20"Hg | 3.50 SCFM | 2.80 SCFM | NST4 Silencer |
| NVP20M0-150H-S05A38 | None | 28"Hg | 3.20 SCFM | 4.80 SCFM | NST4 Silencer |
| NVP20MA-090M-S05A38 | NC 24V | 20"Hg | 1.40 SCFM | 1.40 SCFM | NST4 Silencer |
| NVP20MA-090H-S05A38 | NC 24V | 28"Hg | 1.20 SCFM | 1.80 SCFM | NST4 Silencer |
| NVP20MA-100M-S05A38 | NC 24V | 20"Hg | 2.10 SCFM | 1.80 SCFM | NST4 Silencer |
| NVP20MA-100H-S05A38 | NC 24V | 28"Hg | 2.00 SCFM | 2.80 SCFM | NST4 Silencer |
| NVP20MA-150M-S05A38 | NC 24V | 20"Hg | 3.50 SCFM | 2.80 SCFM | NST4 Silencer |
| NVP20MA-150H-S05A38 | NC 24V | 28"Hg | 3.20 SCFM | 4.80 SCFM | NST4 Silencer |

Accessories

Option selector

NVP★20M★-★★★-S★★A★★

| Series | Substitute |
|---------------------------|------------|
| NVP (Imperial Thread) | |
| NVPM (Metric Thread) | M |
| Valve | Substitute |
| Multi-Port, No Valve | MO |
| Multi-Port, NC 24V Vacuum | MA |
| Multi-Port, NO 24V Vacuum | MB |
| Multi-Port, NC 12V Vacuum | MC |
| Vacuum Flow Level | Substitute |
| Venturi Cartridge 60 | 60 |
| Venturi Cartridge 90 | 90 |
| Venturi Cartridge 100 | 100 |
| Venturi Cartridge 150 | 150 |
| Vacuum Level | Substitute |
| 10"Hg @ 80PSI (Standard) | L |
| 20"Hg @ 80PSI (Standard) | M |
| 28"Hg @ 80PSI (Standard) | H |
| 10"Hg @ 60PSI | X |
| 20"Hg @ 60PSI | Y |
| 28"Hg @ 60PSI | Z |

| Accessories | Substitute |
|---|------------|
| Extra Ports / NVG-150-GF | A38 |
| Extra Ports / NVTMV-QD-6 / NVG-150-GF | A22 |
| Extra Ports / NVSMN-QD-6 / NVG-150-GF | A24 |
| Extra Ports / NVSMP-QD-6 / NVG-150-GF | A26 |
| Extra Ports / No Accessories (standard) | A00 |
| Extra Ports / NVTMV-QD-6 | A02 |
| Extra Ports / NVSMN-QD-6 | A04 |
| Extra Ports / NVSMP-QD-6 | A06 |
| Gauge Port Only / No Accessories | A98 |
| Silencers | Substitute |
| None | S00 |
| NAA4 (62dB) | S02 |
| NST4 (68dB) | S05 |
| NSTAA4 (58dB) | S12 |

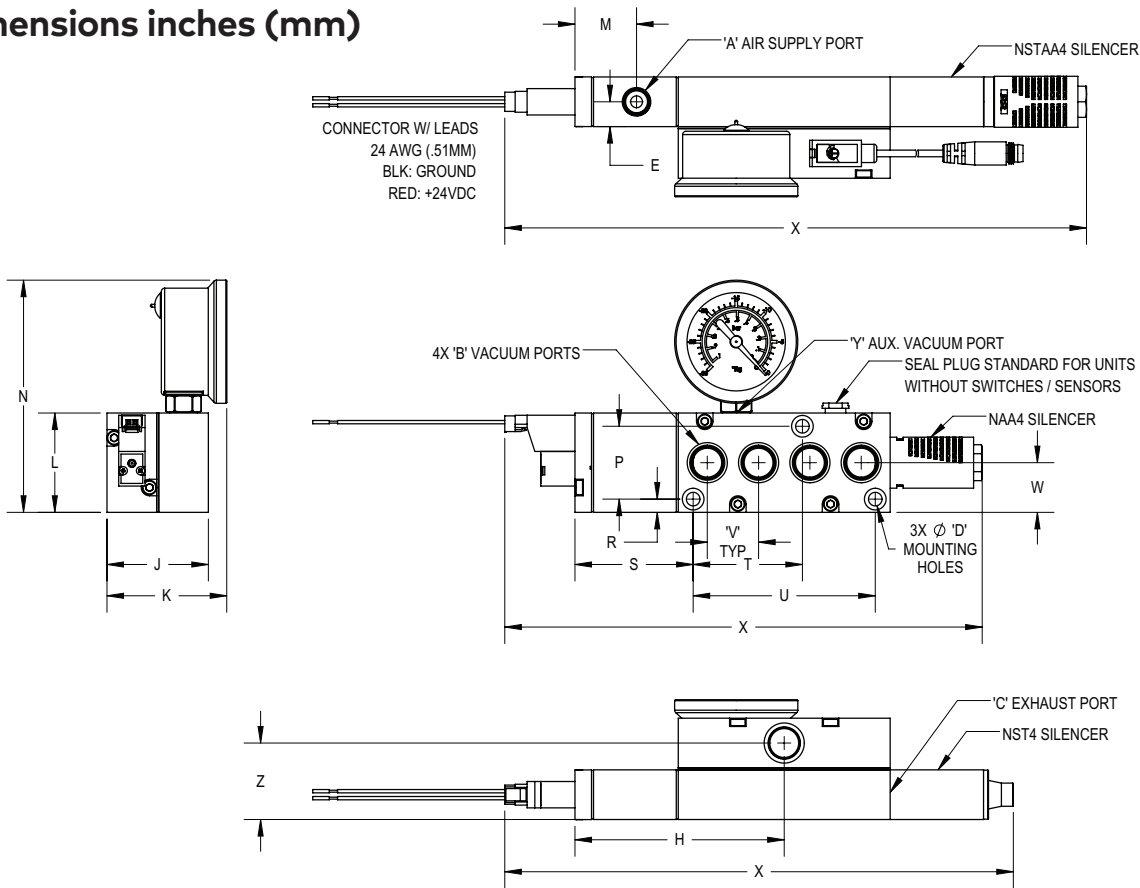


Accessories

| Model | Inline Fitting | Pneufit Swivel Male Elbow |
|---------------------|----------------|---------------------------|
| NVP20M0-90M-S05A38 | 124250428 | 124470428 |
| NVP20M0-90H-S05A38 | 124250428 | 124470428 |
| NVP20M0-100M-S05A38 | 124250628 | 124470628 |
| NVP20M0-100H-S05A38 | 124250628 | 124470628 |
| NVP20M0-150M-S05A38 | 124250628 | 124470628 |
| NVP20M0-150H-S05A38 | 124250628 | 124470628 |

*Proper selection of vacuum cups depends on the application. Cups are available in various durometers, colors and materials. If you do not see what you are looking for, please consult factory
 *The fittings, cups, and spring levelers listed are a small selection of possible options please refer to the specific catalog section

Dimensions inches (mm)



| Model | Units | A | B | C | D | E | F | H | J | K | L | M | N | P | R | S | T | U | V | W | X | Y | Z |
|---------------------|----------|----------|----------|----------|-------|-------|----------|---------|--------|--------|--------|---------|--------|---------|-------|---------|--------|--------|--------|--------|---------|-----------|--------|
| NVP20M0-***-S02A38 | Imperial | 1/8 NPTF | 1/4 NPTF | 1/4 NPTF | 0.20 | 0.37 | 1/4 NPTF | 3.16 | 1.53 | 1.81 | 1.50 | 0.93 | 3.51 | 1.10 | 0.20 | 1.79 | 1.65 | 2.75 | 0.78 | 0.75 | 7.21 | 1/8 NPT F | 1.16 |
| NVP20M0-***-S05A38 | Imperial | 1/8 NPTF | 1/4 NPTF | 1/4 NPTF | 0.20 | 0.37 | 1/4 NPTF | 3.16 | 1.53 | 1.81 | 1.50 | 0.93 | 3.51 | 1.10 | 0.20 | 1.79 | 1.65 | 2.75 | 0.78 | 0.75 | 7.68 | 1/8 NPT F | 1.16 |
| NVP20M0-***-S12A38 | Imperial | 1/8 NPTF | 1/4 NPTF | 1/4 NPTF | 0.20 | 0.37 | 1/4 NPTF | 3.16 | 1.53 | 1.81 | 1.50 | 0.93 | 3.51 | 1.10 | 0.20 | 1.79 | 1.65 | 2.75 | 0.78 | 0.75 | 8.79 | 1/8 NPT F | 1.16 |
| NVPM20M0-***-S02A38 | (Metric) | (G 1/8) | (G 1/4) | (G 1/4) | (5.1) | (9.4) | (G 1/4) | (80.30) | (38.9) | (46.0) | (38.1) | (23.60) | (89.2) | (27.9) | (5.1) | (45.5) | (41.9) | (69.8) | (19.8) | (19.1) | (183.1) | (G 1/8) | (29.5) |
| NVPM20M0-***-S05A38 | (Metric) | (G 1/8) | (G 1/4) | (G 1/4) | (5.1) | (9.4) | (G 1/4) | (80.3) | (38.9) | (46.0) | (38.1) | (23.6) | (89.2) | (27.9) | (5.1) | (45.5) | (41.9) | (69.8) | (19.8) | (19.1) | (195.1) | (G 1/8) | (29.5) |
| NVPM20M0-***-S12A38 | (Metric) | (G 1/8) | (G 1/4) | (G 1/4) | (5.1) | (9.4) | (G 1/4) | (80.3) | (38.9) | (46.0) | (38.1) | (23.6) | (89.2) | (27.90) | (5.1) | (45.50) | (41.9) | (69.8) | (19.8) | (19.1) | (223.3) | (G 1/8) | (29.5) |