

NVP20M

Multi-Port



- » Multi-port version - distribute vacuum to multiple locations
- » High Productivity – non-clogging design reduces downtime
- » Strong hold – powerful vacuum up to 28"Hg [948mbar]
- » Mounts Easily – compact and lightweight
- » Fast Response – installs close to vacuum point
- » Efficient – minimal air consumption
- » Reliable operation – straight-through design with no moving parts

Technical Data

Fluid:
Filtered (50 Micron) unlubricated, non-corrosive dry gases

Operating Temperature
-30° to ~250° F (-34° to ~121°C)
20° to ~120° F (-7° to ~49°C)
(Valve Option)

Operating Pressure
80 PSI (5.5 bar) Standard or
60 PSI (4.1 bar)

Materials
Generator Body: Anodized Aluminum

Supply/Vacuum Line
1/4" OD for sizes 60 and 90
3/8" OD for sizes 100 and 150

Mounting Holes
Mounting holes accept 10-32 [M5] screws
Electrical
24V - 5% to 10% (VA/VD, VB/VE option)
12V - 5% to 10% (VC/VF option)

Power Consumption
1.6 watts

Response Times
8 milliseconds

Cycle Rate (cycles/second)
45 cycles/second

Average Valve Life
50 million cycles

Electrical Connection
11.8" Flying Lead

LED Indicator with Manual Override
Yes

Control Valve
12V (VC/VF option) or 24V normally closed (VA/VD option) or 24V normally open (VB/VE option)

Performance Level Designations
"L", "X" 0-10"Hg [0 to 339mbar] for low vacuum/high flow applications
"M", "Y" 0-20"Hg [0 to 677mbar]



for medium vacuum/high flow applications
"H", "Z" 0-28"Hg [0 to 948mbar] for high vacuum/standard flow applications
vacuum/high flow applications
Product options
Standard (NVP20)
Pneumatic blow-off (NVP2X)
Valve controlled blow-off (NVP20V)
Multi-port (NVP20M)
Air Saver (NVP20C)

Standard Models

Part number	Valve	Max. Vacuum Level	Max. Vacuum Flow	Air Consumption	Silencer
NVP20M0-90M-S05A38	None	20"Hg	1.40 SCFM	1.40 SCFM	NST4 Silencer
NVP20M0-90H-S05A38	None	28"Hg	1.20 SCFM	1.80 SCFM	NST4 Silencer
NVP20M0-100M-S05A38	None	20"Hg	2.10 SCFM	1.80 SCFM	NST4 Silencer
NVP20M0-100H-S05A38	None	28"Hg	2.00 SCFM	2.80 SCFM	NST4 Silencer
NVP20M0-150M-S05A38	None	20"Hg	3.50 SCFM	2.80 SCFM	NST4 Silencer
NVP20M0-150H-S05A38	None	28"Hg	3.20 SCFM	4.80 SCFM	NST4 Silencer
NVP20MA-090M-S05A38	NC 24V	20"Hg	1.40 SCFM	1.40 SCFM	NST4 Silencer
NVP20MA-090H-S05A38	NC 24V	28"Hg	1.20 SCFM	1.80 SCFM	NST4 Silencer
NVP20MA-100M-S05A38	NC 24V	20"Hg	2.10 SCFM	1.80 SCFM	NST4 Silencer
NVP20MA-100H-S05A38	NC 24V	28"Hg	2.00 SCFM	2.80 SCFM	NST4 Silencer
NVP20MA-150M-S05A38	NC 24V	20"Hg	3.50 SCFM	2.80 SCFM	NST4 Silencer
NVP20MA-150H-S05A38	NC 24V	28"Hg	3.20 SCFM	4.80 SCFM	NST4 Silencer

Accessories

Option selector

NVP★20M★-★★★-S★★A★★

Series	Substitute	Accessories	Substitute
NVP (Imperial Thread)		Extra Ports / NVG-150-GF	A38
NVPM (Metric Thread)	M	Extra Ports / NVTMV-QD-6 / NVG-150-GF	A22
Valve	Substitute	Extra Ports / NVSMN-QD-6 / NVG-150-GF	A24
Multi-Port, No Valve	MO	Extra Ports / NVSMP-QD-6 / NVG-150-GF	A26
Multi-Port, NC 24V Vacuum	MA	Extra Ports / No Accessories (standard)	A00
Multi-Port, NO 24V Vacuum	MB	Extra Ports / NVTMV-QD-6	A02
Multi-Port, NC 12V Vacuum	MC	Extra Ports / NVSMN-QD-6	A04
Vacuum Flow Level	Substitute	Extra Ports / NVSMP-QD-6	A06
Venturi Cartridge 60	60	Gauge Port Only / No Accessories	A98
Venturi Cartridge 90	90	Silencers	Substitute
Venturi Cartridge 100	100	None	S00
Venturi Cartridge 150	150	NAA4 (62dB)	S02
Vacuum Level	Substitute	NST4 (68dB)	S05
10"Hg @ 80PSI (Standard)	L	NSTAA4 (58dB)	S12
20"Hg @ 80PSI (Standard)	M		
28"Hg @ 80PSI (Standard)	H		
10"Hg @ 60PSI	X		
20"Hg @ 60PSI	Y		
28"Hg @ 60PSI	Z		

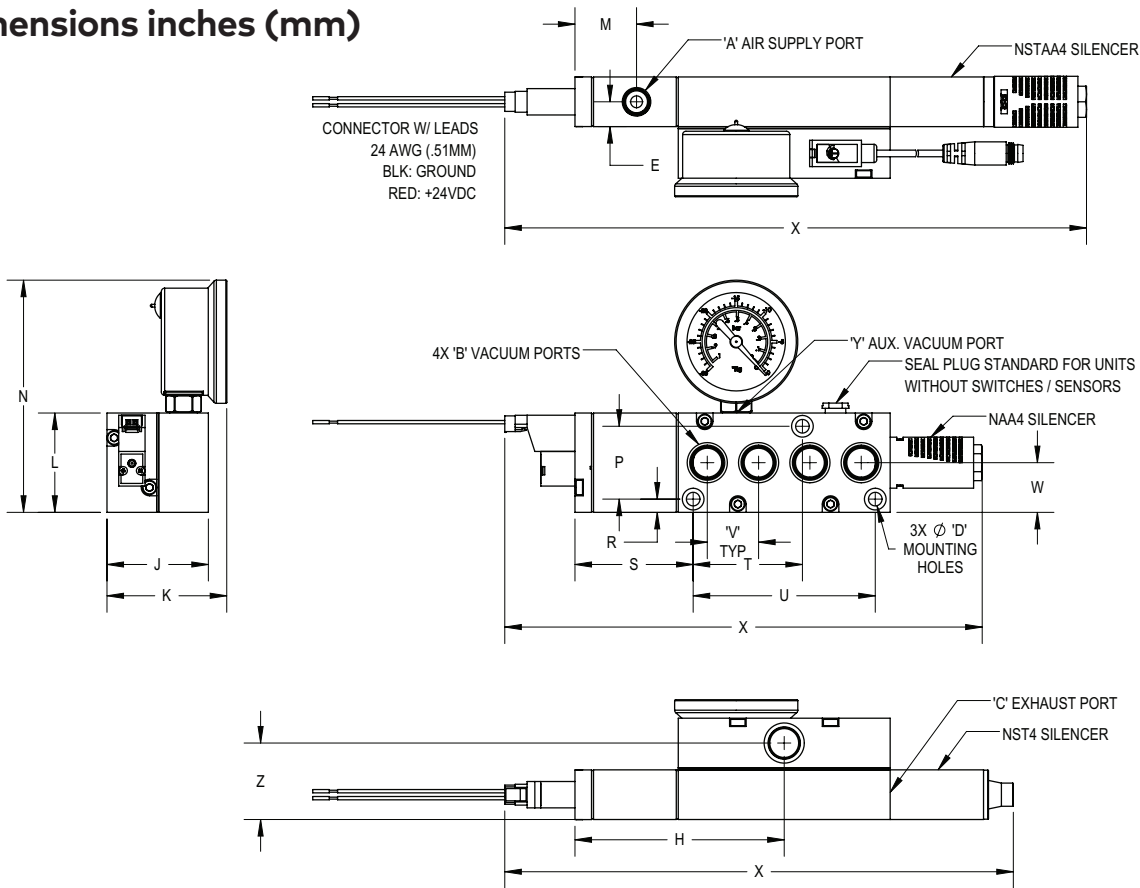


Accessories

Model	Inline Fitting	Pneufit Swivel Male Elbow
NVP20M0-90M-S05A38	124250428	124470428
NVP20M0-90H-S05A38	124250428	124470428
NVP20M0-100M-S05A38	124250628	124470628
NVP20M0-100H-S05A38	124250628	124470628
NVP20M0-150M-S05A38	124250628	124470628
NVP20M0-150H-S05A38	124250628	124470628

*Proper selection of vacuum cups depends on the application. Cups are available in various durometers, colors and materials. If you do not see what you are looking for, please consult factory
 *The fittings, cups, and spring levelers listed are a small selection of possible options please refer to the specific catalog section

Dimensions inches (mm)



Model	Units	A	B	C	D	E	F	H	J	K	L	M	N	P	R	S	T	U	V	W	X	Y	Z
NVP20M0-***-S02A38	Imperial	1/8 NPTF	1/4 NPTF	1/4 NPTF	0.20	0.37	1/4 NPTF	3.16	1.53	1.81	1.50	0.93	3.51	1.10	0.20	1.79	1.65	2.75	0.78	0.75	7.21	1/8 NPT F	1.16
NVP20M0-***-S05A38	Imperial	1/8 NPTF	1/4 NPTF	1/4 NPTF	0.20	0.37	1/4 NPTF	3.16	1.53	1.81	1.50	0.93	3.51	1.10	0.20	1.79	1.65	2.75	0.78	0.75	7.68	1/8 NPT F	1.16
NVP20M0-***-S12A38	Imperial	1/8 NPTF	1/4 NPTF	1/4 NPTF	0.20	0.37	1/4 NPTF	3.16	1.53	1.81	1.50	0.93	3.51	1.10	0.20	1.79	1.65	2.75	0.78	0.75	8.79	1/8 NPT F	1.16
NVPM20M0-***-S02A38	(Metric)	(G 1/8)	(G 1/4)	(G 1/4)	(5.1)	(9.4)	(G 1/4)	(80.30)	(38.9)	(46.0)	(38.1)	(23.60)	(89.2)	(27.9)	(5.1)	(45.5)	(41.9)	(69.8)	(19.8)	(19.1)	(183.1)	(G 1/8)	(29.5)
NVPM20M0-***-S05A38	(Metric)	(G 1/8)	(G 1/4)	(G 1/4)	(5.1)	(9.4)	(G 1/4)	(80.3)	(38.9)	(46.0)	(38.1)	(23.6)	(89.2)	(27.9)	(5.1)	(45.5)	(41.9)	(69.8)	(19.8)	(19.1)	(195.1)	(G 1/8)	(29.5)
NVPM20M0-***-S12A38	(Metric)	(G 1/8)	(G 1/4)	(G 1/4)	(5.1)	(9.4)	(G 1/4)	(80.3)	(38.9)	(46.0)	(38.1)	(23.6)	(89.2)	(27.90)	(5.1)	(45.50)	(41.9)	(69.8)	(19.8)	(19.1)	(223.3)	(G 1/8)	(29.5)