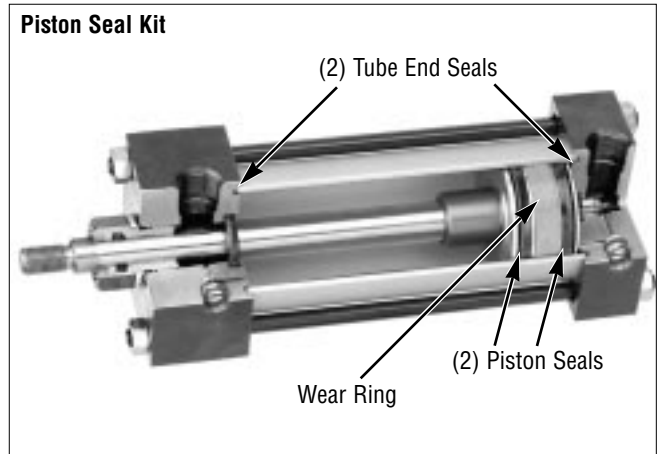




Piston Seal Kits (Includes: 2 piston seals, 1 wear ring and 2 tube end seals.)

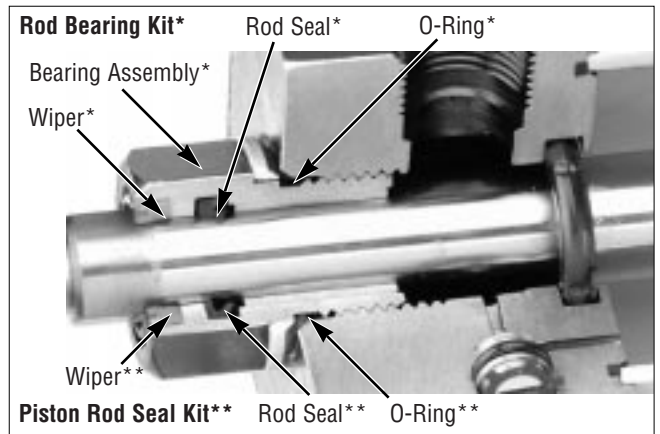
Bore Inches (mm)	Series A & J		Series EA & EJ	
	Buna N	Viton	Buna N	Viton
1-1/2" (38.10)	AJK-153	VAJK-153	EJK-153	VEJK-153
2" (50.80)	AJK-203	VAJK-203	EJK-203	VEJK-203
2-1/2" (63.50)	AJK-253	VAJK-253	EJK-253	VEJK-253
3-1/4" (82.55)	AJK-323	VAJK-323	EJK-323	VEJK-323
4" (101.80)	AJK-403	VAJK-403	EJK-403	VEJK-403
5" (127.00)	AJK-503	VAJK-503	EJK-503	VEJK-503
6" (152.40)	AJK-603	VAJK-603	EJK-603	VEJK-603
7" (177.80)	AJK-703	VAJK-703	EJK-703	Consult Factory
8" (203.20)	AJK-803	VAJK-803	EJK-803	Consult Factory
10" (254.00)	AJK-1003	VAJK-1003	EJK-1003	Consult Factory
12" (304.80)	AJK-1203	VAJK-1203	EJK-1203	Consult Factory



Rod Bearing Kits for Series A, EA, J & EJ

(Includes: Bearing Assembly, Rod Seal, Wiper & O-Ring.)

Rod Diameter	5/8" (15.88)	1" (25.40)	1-3/8" (34.93)	1-3/4" (44.45)	2" (50.80)	2-1/2" (63.50)
Buna N	RBK-15	RBK-25	RBK-35	RBK-45	RBK-55	RBK-65
Viton	VRBK-15	VRBK-25	VRBK-35	VRBK-45	VRBK-55	VRBK-65



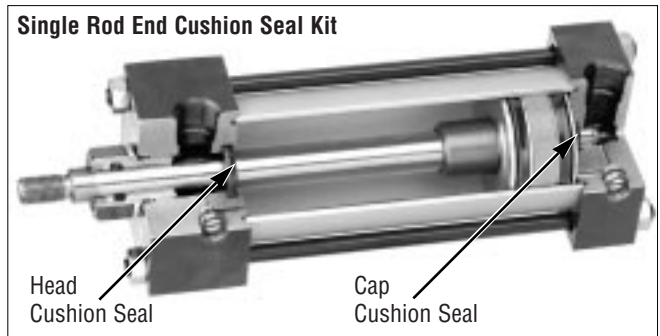
Piston Rod Seal Kits for Series A, EA, J & EJ

(Includes: Rod Seal, Wiper & O-Ring.)

Rod Diameter	5/8" (15.88)	1" (25.40)	1-3/8" (34.93)	1-3/4" (44.45)	2" (50.80)	2-1/2" (63.50)
Buna N	SWK-15	SWK-25	SWK-35	SWK-45	SWK-55	SWK-65
Viton	VSWK-15	VSWK-25	VSWK-35	VSWK-45	VSWK-55	VSWK-65

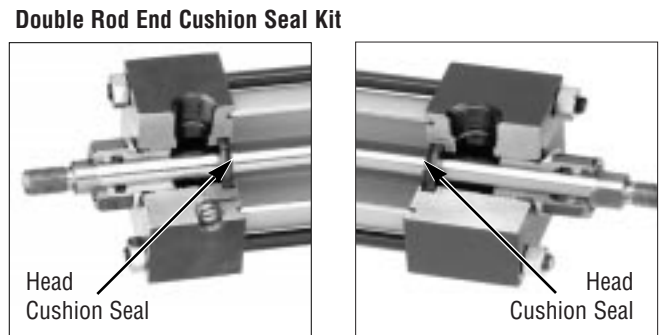
Cushion Seal Kits for Series A, EA, J & EJ (Single Rod End includes: 1 head and 1 cap cushion seal.)

Rod	Bore	1-1/2" (38.10)	2" (50.80)	2-1/2" (63.50)	3-1/4 - 5" (82.55 - 127.00)	6" - 8" (152.40 - 203.20)	10" - 12" (254.00 - 304.80)
5/8"	Buna N	CSK-15-13	CSK-15-13	CSK-15-13			
	Viton	VCSK-15-13	VCSK-15-13	VCSK-15-13			
1"	Buna N	CSK-25-43	CSK-25-13	CSK-25-13	CSK-25-23		
	Viton	VCSK-25-43	VCSK-25-13	VCSK-25-13	VCSK-25-23		
1-3/8"	Buna N		CSK-35-53	CSK-35-13	CSK-35-23	CSK-35-33	
	Viton		VCSK-35-53	VCSK-35-13	VCSK-35-23	VCSK-35-33	
1-3/4"	Buna N			CSK-45-13	CSK-45-23	CSK-45-33	CSK-65-23
	Viton			VCSK-45-13	VCSK-45-23	VCSK-45-33	VCSK-65-23
2"	Buna N				CSK-55-23	CSK-55-33	CSK-55-33
	Viton				VCSK-55-23	VCSK-55-33	VCSK-55-33
2-1/2"	Buna N				CSK-65-23	CSK-65-33	CSK-65-33
	Viton				VCSK-65-23	VCSK-65-33	VCSK-65-33



Cushion Seal Kits for Series A, EA, J & EJ (Double Rod End includes: 2 head cushion seals.)

Rod	Bore	1-1/2" (38.10)	2" (50.80)	2-1/2" (63.50)	3-1/4 - 5" (82.55 - 127.00)	6" - 8" (152.40 - 203.20)	10" - 12" (254.00 - 304.80)
5/8"	Buna N	CSK-15-23	CSK-15-23	CSK-15-23			
	Viton	VCSK-15-23	VCSK-15-23	VCSK-15-23			
1"	Buna N	CSK-25-63	CSK-25-53	CSK-25-53	CSK-25-53		
	Viton	VCSK-25-63	VCSK-25-53	VCSK-25-53	VCSK-25-53		
1-3/8"	Buna N		CSK-35-63	CSK-35-43	CSK-35-43	CSK-35-43	
	Viton		VCSK-35-63	VCSK-35-43	VCSK-35-43	VCSK-35-43	
1-3/4"	Buna N			CSK-45-43	CSK-45-43	CSK-45-43	CSK-45-43
	Viton			VCSK-45-43	VCSK-45-43	VCSK-45-43	VCSK-45-43
2"	Buna N				CSK-55-43	CSK-55-43	CSK-55-43
	Viton				VCSK-55-43	VCSK-55-43	VCSK-55-43
2-1/2"	Buna N				CSK-65-43	CSK-65-43	CSK-65-43
	Viton				VCSK-65-43	VCSK-65-43	VCSK-65-43



NOTE: When ordering repair kits for Series A, EA, J and EJ cylinders, please specify the type of kit, the cylinder model number, and the cylinder bore. This will ensure that you receive the proper repair kit(s).