

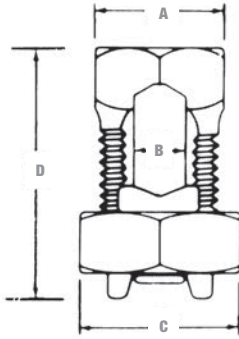


Split-Bolt Connectors

Type H — High Strength Split-Bolt Connectors

For copper to copper connections

- Bolt and nut of high strength corrosion-resistant bronze alloy
- Pressure bar is copper through 40H; copper alloy is used for 350 kcmil and above
- Bolt and nut of hex design up to 350 kcmil
- CSA Certified and UL Listed



Cat. No.	Conductor Range (AWG or kcmil)		Dimensions (in.)			
	Range for equal Main and Tap	Min. Tap with one Max. Main	A	B	C	D
9H	10 str.–12 sol.	14 sol.	3/8	0.146	1/2	25/32
8H	8 str.–10 sol.					29/32
8H3*	8 str.–12 sol.	16 str.	15/32	0.170	21/32	31/32
6H	6 sol.–8 sol.	14 sol.				1-1/8
6H3*	6 sol.–10 sol.	16 str.	17/32	0.235	23/32	1-1/16
4H	4 sol.–8 sol.	14 sol.				1-9/32
4H3*	4 sol.–8 sol.	16 str.	19/32	0.271	25/32	1-1/16
3H	3 sol.–8 sol.					1-15/32
3H3*	4 str.–8 sol.	14 sol.	11/16	0.330	7/8	1-11/32
2H	2 sol.–6 sol.					1-5/8
2H3*	2 sol.–6 sol.	6 sol.	3/4	0.385	15/16	1-19/32
1H	2 str.–6 sol.					7/8
1H3**	2 str.–6 sol.	8 sol.	7/8	0.443	1-1/16	1-13/16
10H	1/0 str.–4 sol.					2-5/32
20H	2/0 str.–2 sol.	1	1	0.580	1-5/16	2-5/32
30H	4/0 str.–2 sol.					2-5/32
40H	250 kcmil–1 str.	8 sol.	1	0.580	1-5/16	2-5/32
350M	350 kcmil–250 kcmil	1/0 str.	1-5/16	0.717	1-21/32	2-11/16
500M	500 kcmil–400 kcmil	2/0 str.	1-1/2	0.842	1-7/8	3-1/32
750M	750 kcmil–600 kcmil	4/0 str.	1-15/16	1.029	2-1/4	3-21/32
1000M	1000 kcmil–800 kcmil		2-1/4	1.185	2-17/32	4-1/32

* Will accommodate 3 wires of maximum size.

** Will accommodate 3 #2 str. wires.

UL recognizes solid and stranded conductor configurations for sizes #8 and smaller and stranded configurations only for sizes #6 and larger.

Split-Bolt Connectors

Type HPS — Plated Split-Bolt Connectors with Spacer

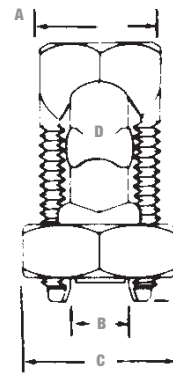
For use on copper, aluminum and ACSR conductors

- Most connectors are CSA Certified and UL Listed for copper conductors only
- Bolt and pressure bar of copper alloy completely tin-plated
- Contoured spacer of electrolytic copper up through 4/0; bronze alloy 350 kcmil and above, all tin-plated
- Blackburn® Contax recommended when used on aluminum conductors



Cat. No.	Conductor Range (AWG or kcmil)			Dimensions (in.)			
	Range for equal Main and Tap	Range for equal Main and Tap	Min. Tap with One Max. Main	A	B	C	D
	ACSR		Copper or Aluminum				
9HPS	—	10 str.–12 sol.	12 sol.	3/8	0.146	1/2	29/32
8HPS	—	8 str.–12 sol.					
6HPS	8	6 str.–12 sol.					
4HPS	6–8	4 sol.–12 sol.	8 sol.	15/32	0.170	21/32	1-1/8
2HPS	4–8	2 sol.–8 sol.		17/32	0.235	23/32	1-9/32
1HPS	2–8	1 str.–8 sol.		19/32	0.274	25/32	1-15/32
10HPS	1–6	1/0 str.–6 sol.	6 sol.	11/16	0.330	7/8	1-5/8
20HPS	1/0–6	2/0 str.–6 sol.		3/4	0.385	15/16	1-13/16
40HPS	4/0–4	4/0 str.–4 sol.		4 sol.	7/8	0.443	1-1/16
350HPS	266.8–1/0	350 kcmil–1/0 str.	2 sol.	1	0.580	1-5/16	2-15/32
500HPS*	397.5–1/0	500 kcmil–1/0 str.	1/0 str.	1-5/16	0.717	1-21/32	2-11/16
750HPS*	666.6–4/0	750 kcmil–4/0 str.	2/0 str.	1-1/2	0.842	1-7/8	3-1/32
1000HPS*	900–477	1000 kcmil–500 kcmil	4/0 str.	1-15/16	1.029	2-1/4	3-21/32
				2-1/4	1.185	2-17/32	4-1/32

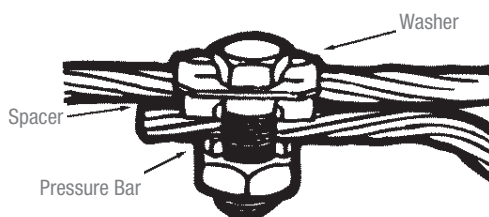
* CSA not applicable.



Type HPW — Plated Split-Bolt Connectors with spacer and washer

For use on combinations of copper, aluminum and ACSR conductors

- Most connectors are CSA Certified and UL Listed for copper conductors only
- Bolt and pressure bar of high strength copper alloy completely tin-plated; spacer and washer of electrolytic copper up through 4/0; bronze alloy 350 kcmil and above, all tin-plated
- Contoured spacer and bell mouth washer distribute pressure over large area of conductor
- Large contoured spacer provides wide separation between copper and aluminum conductors
- Blackburn® Contax recommended when used with aluminum conductors



Cat. No.	Conductor Range (AWG or kcmil)			Dimensions (in.)			
	Range for equal Main and Tap	Range for equal Main and Tap	Min. Tap with One Max. Main	A	B	C	D
	ACSR		Copper or Aluminum				
6HPW	8	6 sol.–12 sol.	12 sol.	15/32	0.170	21/32	1-1/8
4HPW	6–8	4 sol.–12 sol.		17/32	0.235	23/32	1-9/32
2HPW	4–8	2 sol.–8 sol.		19/32	0.271	25/32	1-15/32
1HPW	2–8	1 str.–8 sol.	8 sol.	11/16	0.330	7/8	1-5/8
10HPW	1–6	1/0 str.–6 sol.	6 sol.	3/4	0.385	15/16	1-13/16
20HPW	1/0–6	2/0 str.–6 sol.		7/8	0.443	1-1/16	2-1/16
40HPW*	4/0–4	4/0 str.–4 sol.		4 sol.	1	0.580	1-5/16

* CSA not applicable.

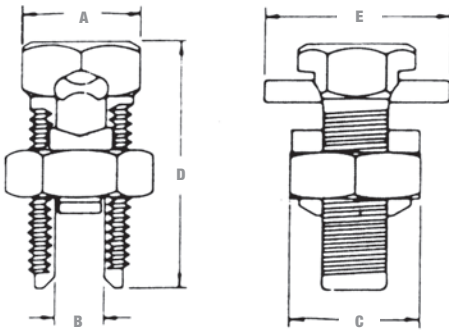


Split-Bolt Connectors

Type APS — Aluminum Dual-Rated Split-Bolts

Accommodate all aluminum and copper conductor combinations

- 6 bolts cover the range from #10 to 4/0 AWG
- Can be installed with standard wrenches
- Corrosion resistant tin-plated aluminum
- CSA Certified and UL Listed to 90°C 600V



Cat. No.	Conductor Range (AWG or kcmil) Range for equal Main and Tap	Dimensions (in.)				
		A	B	C	D	E
APS06	6–10 str.	17/32	0.21	23/32	1.27	1-1/4
APS04	4–10 str.	19/32	0.27	25/32	1.48	
APS02	2–8 str.	11/16	0.33	7/8	1.63	1-1/2
APS11	1/0–4 str.	7/8	0.44	1-1/8	2.07	
APS21	2/0–4 str.					
APS41	4/0–2 str.	1	0.57	1-1/4	2.47	1-23/32
APS350*	350 kcmil–4 str.	1-7/16	0.70	1-11/16	3.36	2-1/4
APS500*	500 kcmil–2 str.	1-11/16	0.84	2	3.62	2-5/8

* Square head design CSA not applicable.

Type AAW — Aluminum Split-Bolt Connectors with Spacer and Washers

For all aluminum applications

- Bolt, nut, pressure bar and contoured spacer of aluminum alloy
- Large contoured spacer gives wide separation
- Nut anodized to prevent thread galling
- Blackburn® Contax recommended when used on aluminum conductors



Cat. No.	Conductor Range (AWG or kcmil)			Dimensions (in.)			
	Range for equal Main and Tap	Range for equal Main and Tap	Min. Tap with One Max. Main	A	B	C	D
6AAW	6–8	4 sol.–8 sol.	10 sol.	17/32	0.236	23/32	1-9/32
4AAW	4–8	2 sol.–8 sol.	8 sol.	19/32	0.272	25/32	1-15/32
2AAW	2–8	1 str.–8 sol.		11/16	0.330	7/8	1-5/8
1AAW	1–4	1/0 str.–8 sol.	4 sol.	7/8	0.443	1-1/8	2-1/16
10AAW	1/0–4	2/0 str.–8 sol.		1	0.580	1-1/4	2-15/32
40AAW	4/0–4	4/0 str.–4 sol.					

