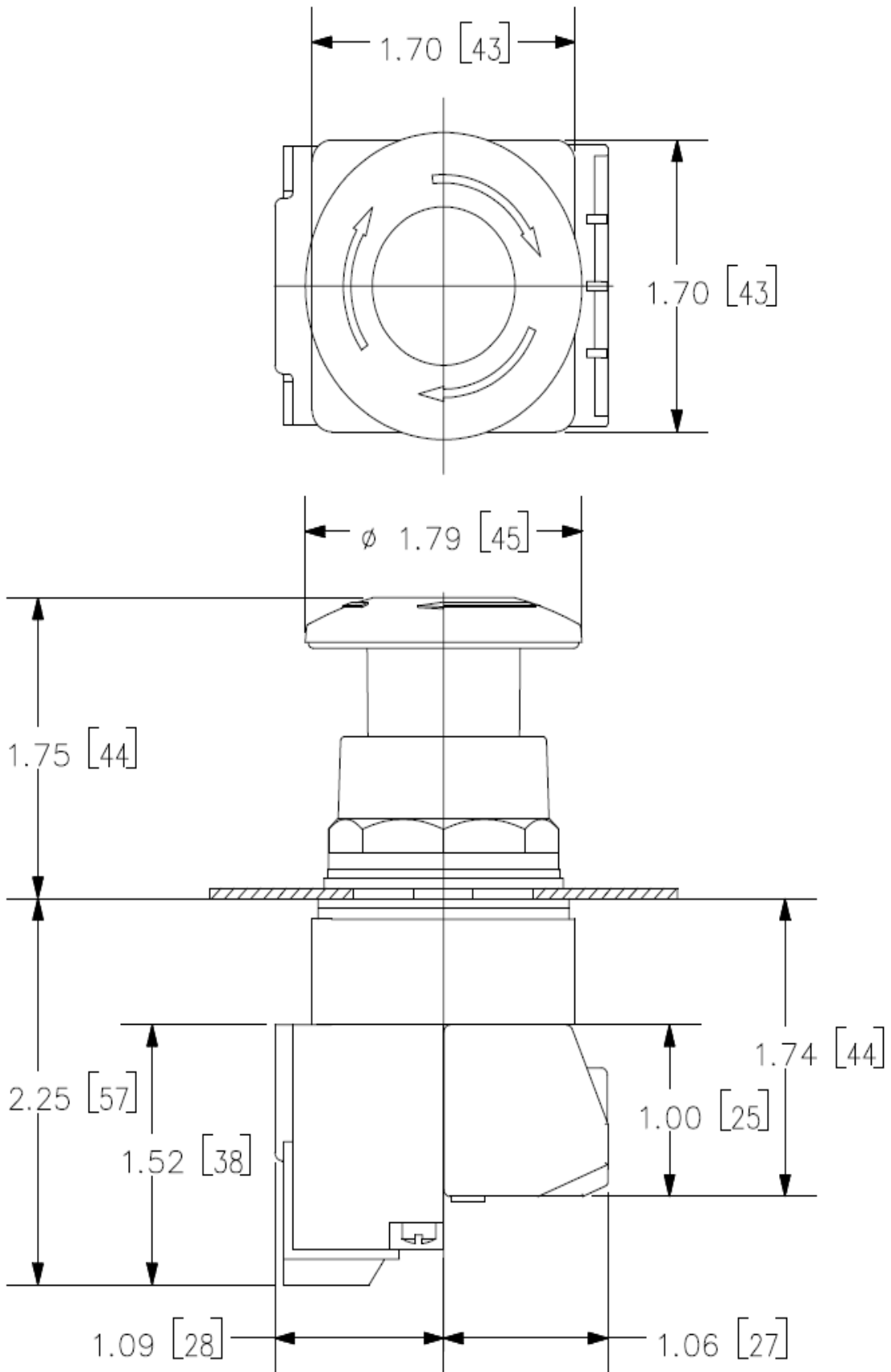




30mm BlackMax, Epoxy Coated Corrosion Resistant Complete Metal Unit
Illuminated Twist-to-Release Full Voltage, 6V AC/DC Incandescent Lamp
Mushroom Head Cap Small 1.79" (45 mm) Plastic Cap, Green 2 Position
Maintained, Twist-to-Release with 1 N.O. - 1 N.C. Heavy Duty Contacts,
A600/P600 UL Listed, CSA Certified NEMA 1,3,3R,4,4X,12,13 & Automotive
Standards

Enclosure	
number of command points	1
delivery state as a kit	No
Actuator	
product extension optional light source	Yes
material of the actuating element	plastic
number of contact modules	1
type of unlocking device	rotate-to-unlatch mechanism
number of switching positions	2
Front ring	
product component front ring	Yes
design of the front ring	standard
material of the front ring	metal
color of the front ring	black
Holder	
material of the holder	metal
Contact block/ lampholder	
number of lampholders	1
Display	
number of LED modules	0
General technical data	
product function positive opening	Yes
product component	
• lamp transformer	No
• light source	Yes
type of voltage	
• of the operating voltage	AC/DC
• of the input voltage	AC/DC
surge voltage resistance rated value	4 kV
protection class IP	IP66
thermal current	10 A
Weight	0.23 kg
Supply voltage	
type of voltage of the supply voltage of the light source	AC/DC
supply voltage of the light source at AC at 60 Hz rated value	
•	8 ... 6 V
supply voltage of the light source at DC rated value	
•	8 ... 6 V
Auxiliary circuit	
number of NC contacts for auxiliary contacts	1

number of NO contacts for auxiliary contacts	1
operational current at AC-15	
• at 110 V rated value	60 A
• at 230 V rated value	30 A
• at 400 V rated value	15 A
• at 500 V rated value	12 A
Connections/ Terminals	
type of electrical connection	screw terminal
tightening torque of the screws in the bracket maximum	20 N·m
tightening torque [lbf·in] with screw-type terminals	8 ... 8 lbf·in
Lamp	
color of the light source	clear
Ambient conditions	
ambient temperature	
• during operation	-35 ... +70 °C
• during storage	-40 ... +85 °C
Installation/ mounting/ dimensions	
shape of the installation opening	round
Further information	
Information on the packaging https://support.industry.siemens.com/cs/ww/en/view/109813875 Information- and Downloadcenter (Catalogs, Brochures,...) https://www.siemens.com/ic10 Industry Mall (Online ordering system) https://mall.industry.siemens.com/mall/en/en/Catalog/product?mlfb=US2:52BR8BSA Cax online generator http://support.automation.siemens.com/WWW/CAXorder/default.aspx?lang=en&mlfb=US2:52BR8BSA Service&Support (Manuals, Certificates, Characteristics, FAQs,...) https://support.industry.siemens.com/cs/ww/en/ps/US2:52BR8BSA Image database (product images, 2D dimension drawings, 3D models, device circuit diagrams, EPLAN macros, ...) http://www.automation.siemens.com/bilddb/cax_de.aspx?mlfb=US2:52BR8BSA&lang=en	



last modified:

4/8/2024 