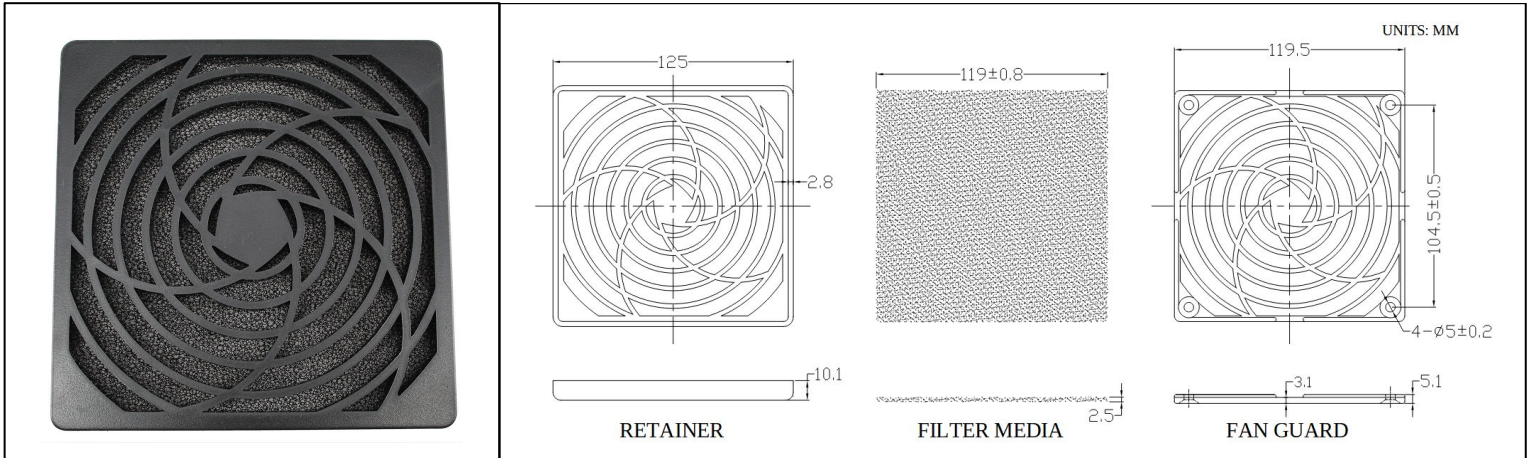


# GRM120 Series



## Plastic Filter Kit Fits 120mm Fans



|                          |  |   |
|--------------------------|--|---|
| Guard & Snap-in Retainer | Plastic - Reinforced ABS-757, UL Approved Materials, UL94 HB Flammability Rating   | Snap-on Retainer makes cleaning or replacing media simple. No tools required. |
| Media                    | Polyurethane Foam material.<br>Porous mesh 30PPI, 45PPI, or optional 60PPI available. PPI = Pores Per Inch.<br>30 or 45 PPI recommended for most fan applications.<br>Low air resistance, filtration of particulate matter, noise abatement. |   |

| Part Number  | Description   |
|--------------|---|
| GRM120-30    | 120mm Fan filter kit, includes G120P guard, R120P retainer, and M120-30 media |
| GRM120-45    | 120mm Fan filter kit, includes G120P guard, R120P retainer, and M120-45 media |
| GRM120-30/PK | 10-Pack GRM120-30 filter kits, Boxed  |
| GRM120-45/PK | 10-Pack GRM120-45 filter kits, Boxed  |