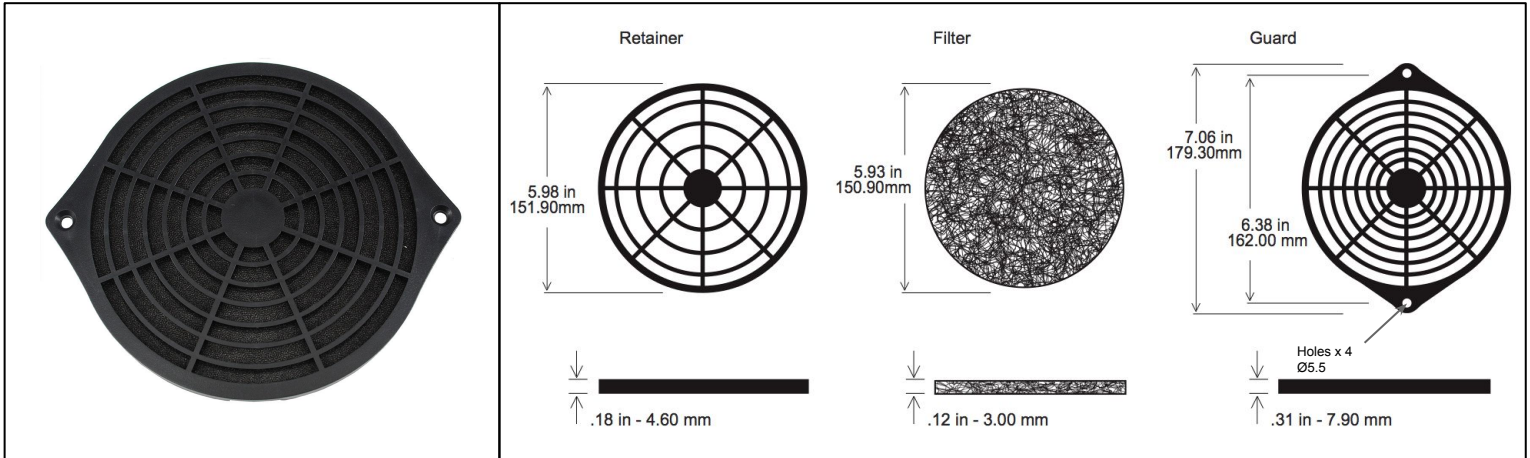


# GRM172 Series



# Plastic Filter Kit Fits 172mm Fans



Guard & Snap-in Retainer	Plastic - Reinforced ABS Polylac PA-764(+), UL Approved Material E56070, Rating UL94 V-0	Snap-on Retainer makes cleaning or replacing media simple. No tools required.
Media	<p>Polyurethane foam.</p> <p>Porous mesh 30PPI, 45PPI, or 60PPI available. PPI = Pores Per Inch.</p> <p>30 or 45 PPI recommended for most fan applications.</p> <p>Low air resistance, filtration of particulate matter, noise abatement.</p>	

Part Number	Description
GRM172-30	172mm Fan filter kit, includes G172P guard, R172P retainer, and M172-30 media
GRM172-45	172mm Fan filter kit, includes G172P guard, R172P retainer, and M172-45 media
GRM172-30/PK	10-Pack GRM172-30 filter kits, Boxed
GRM172-45/PK	10-Pack GRM172-45 filter kits, Boxed