

## Double Banana Plug to 50 Ohm BNC Male Adapter



### LCAD9789

#### Configuration

- Double Banana Plug Connector 1
- BNC Male Connector 2
- Straight Body Geometry

#### Features

#### Applications

- Allows Connection Between Series
- General Purpose Test

#### Description

L-com's LCAD9789 Double Banana plug to 50 ohm BNC male adapter is part of our full line of RF components available for same-day shipping. Our Double Banana to BNC adapter has a plug to male gender configuration.

RF adapters are often used to enable connections between two connector types that would otherwise not mate. Certain adapter configurations can also be used to protect connectors on expensive equipment where the number of connect/ disconnect cycles is high. An RF, microwave or millimeter wave adapter is connected to the equipment, and the commonly changed connection is made with the adapter which can be easily replaced when it wears out after high usage; such adapters are referred to as connector savers. L-com also offers bulkhead, panel mount, hermetically sealed, reverse polarity, and isolated ground adapter varieties to serve all of your RF, microwave and millimeter wave needs.

#### Mechanical Specifications

##### Size

Length	2.23 in [56.64 mm]
Width	1.18 in [29.97 mm]
Height	0.57 in [14.48 mm]
Weight	0.05 lbs [22.23 g]

Description	Connector 1	Connector 2
Type	Double Banana Plug	BNC Male
Polarity	Standard	Standard

#### Material Specifications

Description	Connector 1		Connector 2	
	Material	Plating	Material	Plating
Type	Double Banana Plug		BNC Male	
Contact	Brass	Nickel	Copper	Gold
Body	PE		Brass	Nickel
Coupling Nut			Brass	Nickel

## Double Banana Plug to 50 Ohm BNC Male Adapter



### LCAD9789

---

**Compliance Certifications** (see [product page](#) for current document)

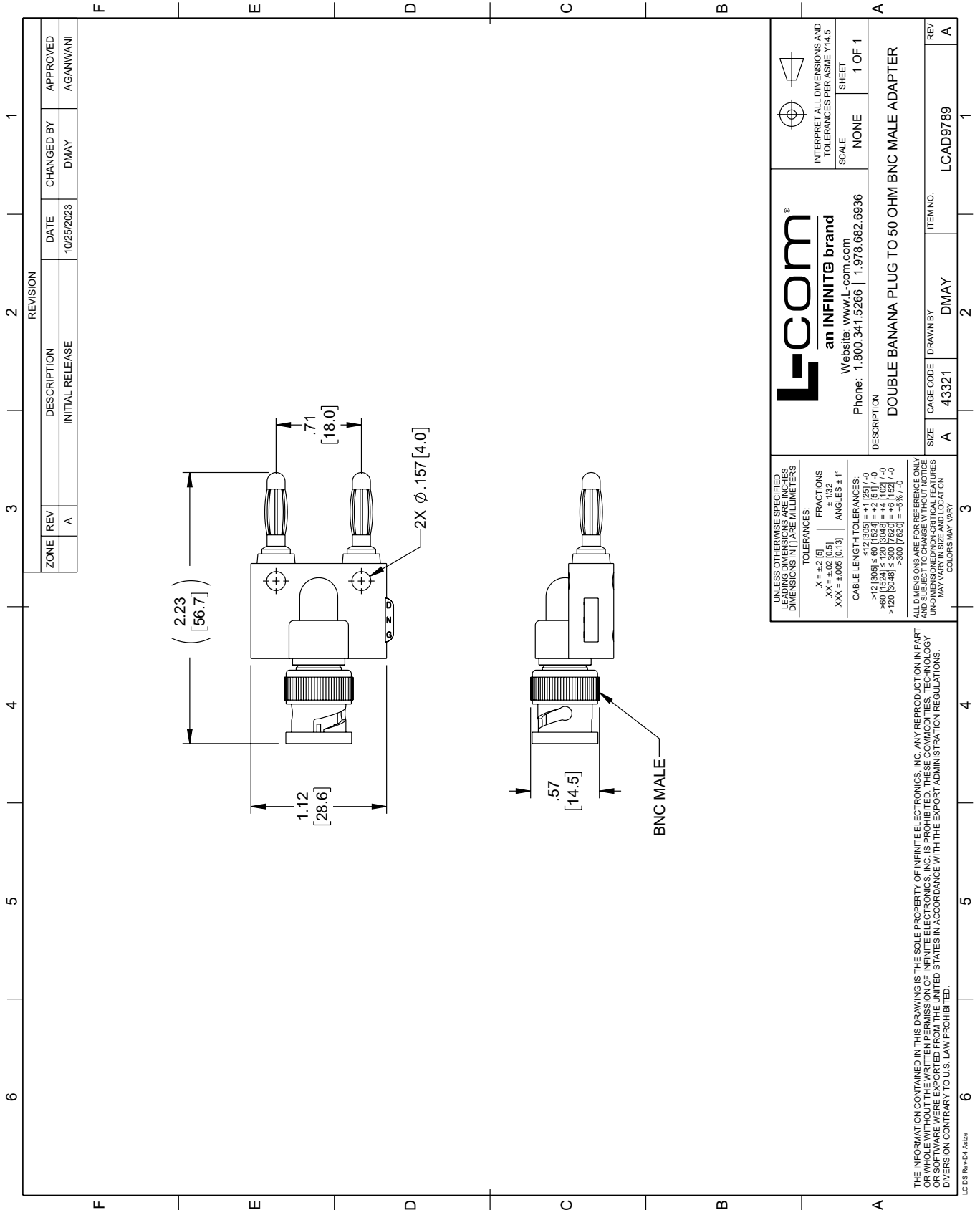
Double Banana Plug to 50 Ohm BNC Male Adapter from L-com has same day shipment for domestic and International orders. Our portfolio includes coaxial cable assemblies, connectors, adapters and custom products as well as lightning and surge protectors, NEMA rated enclosures, and an RF product line which includes antennas, amplifiers, passive, and active components.

URL: <https://www.l-com.com/banana-plug-bnc-male-straight-adapter-lcad9789-p.aspx>

The information contained within this document is accurate to the best of our knowledge and representative of the part described herein. It may be necessary to make modifications to the part and/or the documentation of the part in order to implement improvements. L-com reserves the right to make such changes as required. Unless otherwise stated, all specifications are nominal. L-com does not make any representation or warranty regarding the suitability of the part described herein for any particular purpose, and L-com does not assume liability arising out of the use of any part or document.

# LCAD9789 CAD Drawing

## Double Banana Plug to 50 Ohm BNC Male Adapter



REVISION		DATE	CHANGED BY	APPROVED	
ZONE	REV	DESCRIPTION	INITIAL RELEASE	DMAY	AGANWANI
	A				

		INTERPRET ALL DIMENSIONS AND TOLERANCES PER ASME Y14.5 SCALE: NONE SHEET: 1 OF 1
<b>L-com</b> an INFINITE brand Website: www.L-com.com Phone: 1.800.341.5266   1.978.682.6936		
DESCRIPTION: DOUBLE BANANA PLUG TO 50 OHM BNC MALE ADAPTER		
SIZE	CAGE CODE	ITEM NO.
A	43321	LCAD9789
REV	A	

UNLESS OTHERWISE SPECIFIED, LEADING DIMENSIONS ARE IN INCHES. DIMENSIONS IN [ ] ARE MILLIMETERS.

TOLERANCES:  
 .X = ±.2 [5]      FRACTIONS ± 1/32  
 .XX = ±.02 [0.5]      ANGLES ± 1°  
 .XXX = ±.005 [0.13]

CABLE LENGTH TOLERANCES:  
 <12 [305] ±.01 [25] / -0  
 >12 [305] ≤ 60 [1524] = ±.02 [51] / -0  
 >60 [1524] ≤ 120 [3048] = ±.04 [102] / -0  
 >120 [3048] ≤ 300 [7620] = ±.08 [203] / -0

ALL DIMENSIONS ARE FOR REFERENCE ONLY. UNDIMENSIONED/NON-CRITICAL FEATURES MAY VARY IN SIZE AND LOCATION. COLORS MAY VARY.

THE INFORMATION CONTAINED IN THIS DRAWING IS THE SOLE PROPERTY OF INFINITE ELECTRONICS, INC. ANY REPRODUCTION IN PART OR WHOLE WITHOUT THE WRITTEN PERMISSION OF INFINITE ELECTRONICS, INC. IS PROHIBITED. THESE COMMODITIES, TECHNOLOGY OR SERVICES ARE EXPORTED FROM THE UNITED STATES IN ACCORDANCE WITH THE EXPORT ADMINISTRATION REGULATIONS. DIVERSION CONTRARY TO U.S. LAW PROHIBITED.

LC 05 Rev-D4 Asize