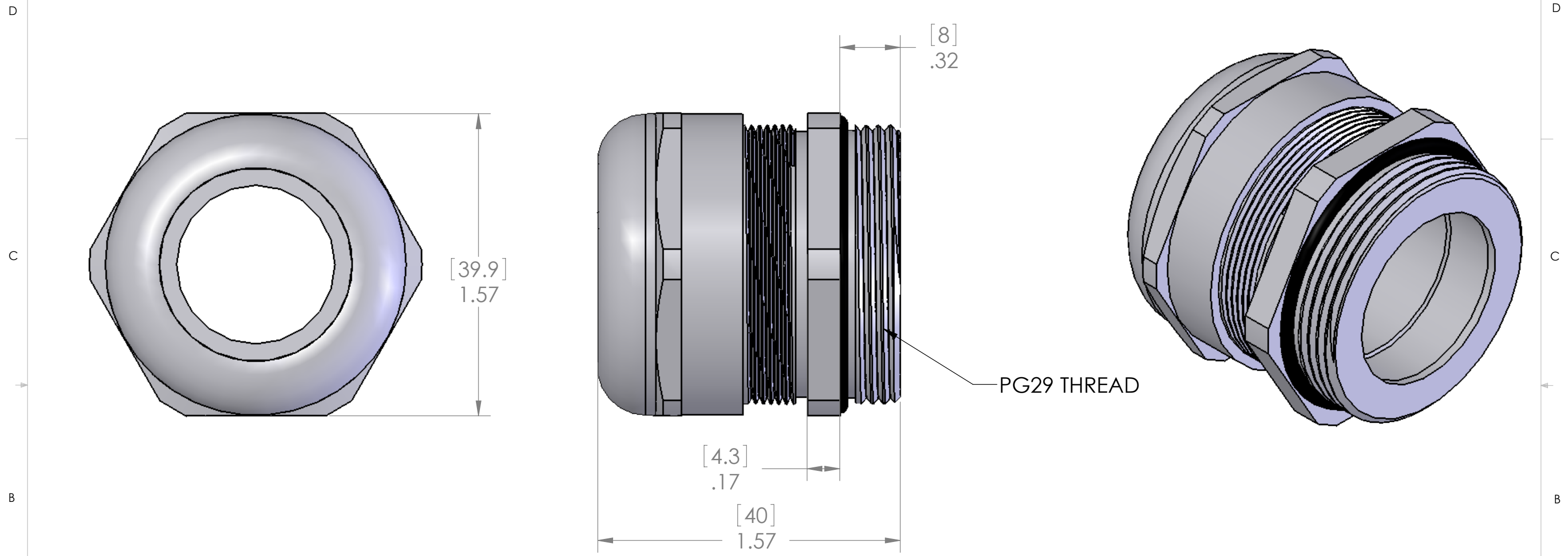


REVISIONS			
REV.	DESCRIPTION	DATE	APPROVED
A	REDRAWN IN SW	12/2/2004	
B	TABLE ADDED	6/1/2006	



<b>SPECIFICATIONS:</b>	(B)
<b>TIGHTENING TORQUE:</b>	10 Nm
<b>TEMPERATURE:</b>	-20°C - +100°C

<b>MATERIALS:</b>	
<b>BODY:</b>	NICKEL PLATED BRASS
<b>INSERT:</b>	POLYAMIDE
<b>GROMMET:</b>	NEOPRENE
<b>LOCK NUT:</b>	NICKEL PLATED BRASS
<b>O-RING:</b>	BUNA-N

PART NUMBER	SEALING RANGE
MCGB-29	0.709" - 0.984" [18 - 25MM]
MCGB-29R	0.472" - 0.787" [12 - 20MM]

LOCK NUT INCLUDED BUT NOT SHOWN

SEAL RATED AT IP 68

**PROPRIETARY AND CONFIDENTIAL**  
 THE INFORMATION CONTAINED IN THIS DRAWING IS THE SOLE PROPERTY OF MENCOM CORPORATION. ANY REPRODUCTION IN PART OR AS A WHOLE WITHOUT THE WRITTEN PERMISSION OF MENCOM CORPORATION IS PROHIBITED.

UNLESS OTHERWISE SPECIFIED:	NAME
DIMENSIONS ARE IN INCHES AND [MM]	BEM
MATERIAL	
FINISH	
DO NOT SCALE DRAWING	

DRAWN		NAME	
CHECKED		BEM	
ENG APPR.		TITLE:	
MFG APPR.		MENCOM CORPORATION	
Q.A.		SIZE DWG. NO. REV	
COMMENTS:		B MCGB-29 B	
SCALE: 2:1	WEIGHT:	SHEET 1 OF 1	