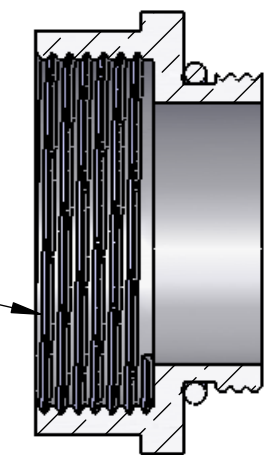
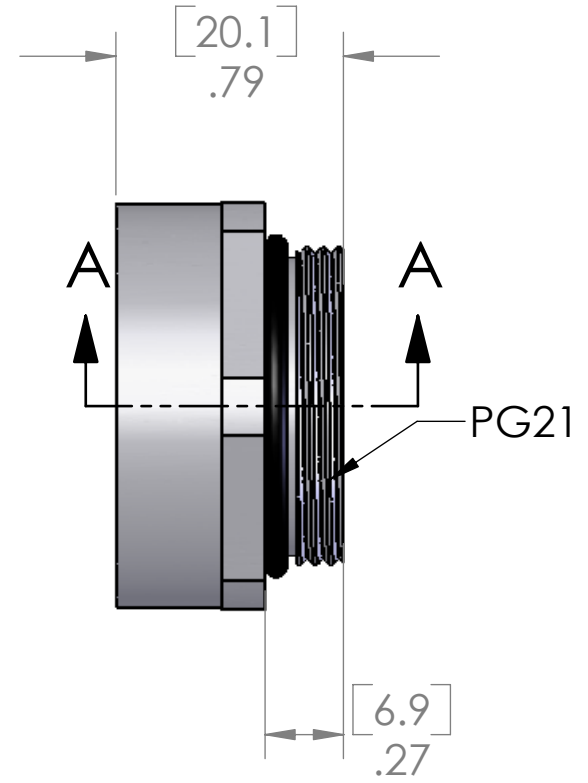
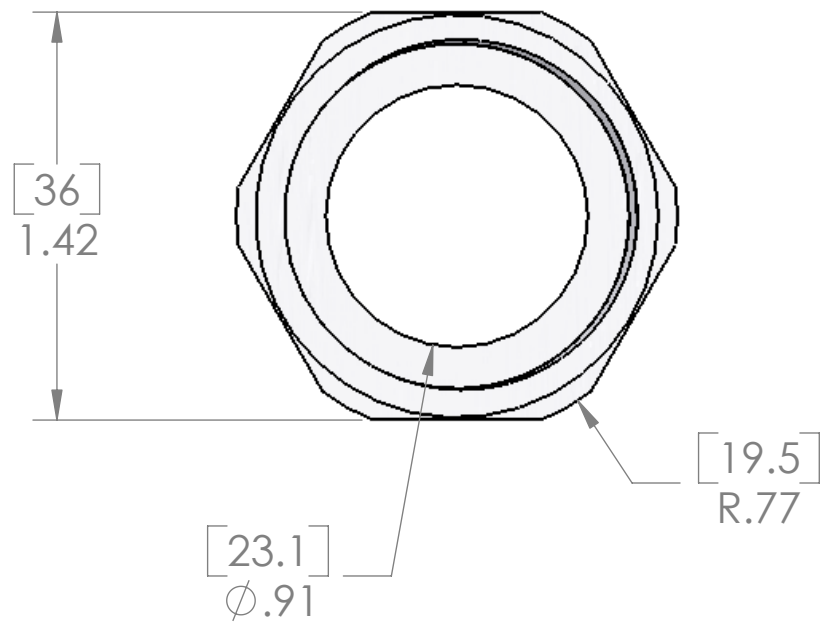


REVISIONS		
REV.	DESCRIPTION	DATE
A	REDRAWN IN SW	8/14/2006

M32x1.5
Female
Thread



SECTION A-A



MATERIALS:	
BODY:	NICKEL PLATED BRASS
O-RING:	NBR

PROPRIETARY AND CONFIDENTIAL
THE INFORMATION CONTAINED IN THIS DRAWING IS THE SOLE PROPERTY OF MENCOM CORPORATION. ANY REPRODUCTION IN PART OR AS A WHOLE WITHOUT THE WRITTEN PERMISSION OF MENCOM CORPORATION IS PROHIBITED.

UNLESS OTHERWISE SPECIFIED:		NAME
DIMENSIONS ARE IN INCHES		DWM
		DRAWN
		CHECKED
		ENG APPR.
		MFG APPR.
		Q.A.
		COMMENTS:
MATERIAL		
FINISH		
DO NOT SCALE DRAWING		

MENCOM CORPORATION		
TITLE: PG21 TO M32 ADAPTER		
SIZE B	DWG. NO. PG21-M32	REV A
SCALE: 3:2	WEIGHT:	SHEET 1 OF 1