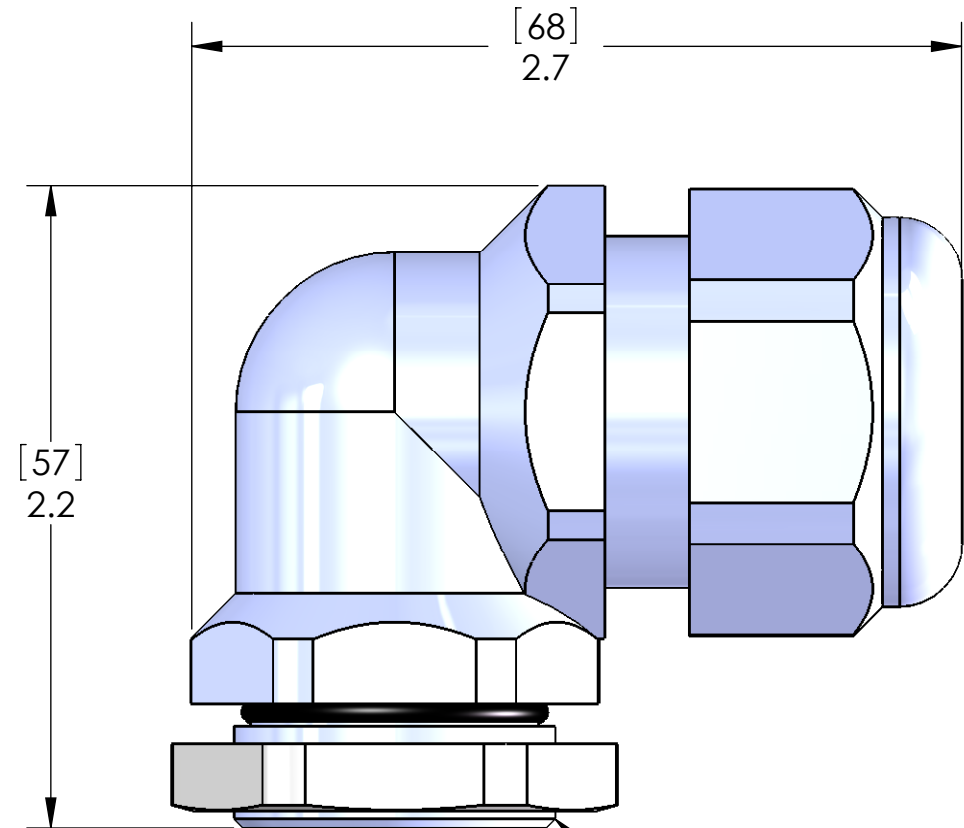
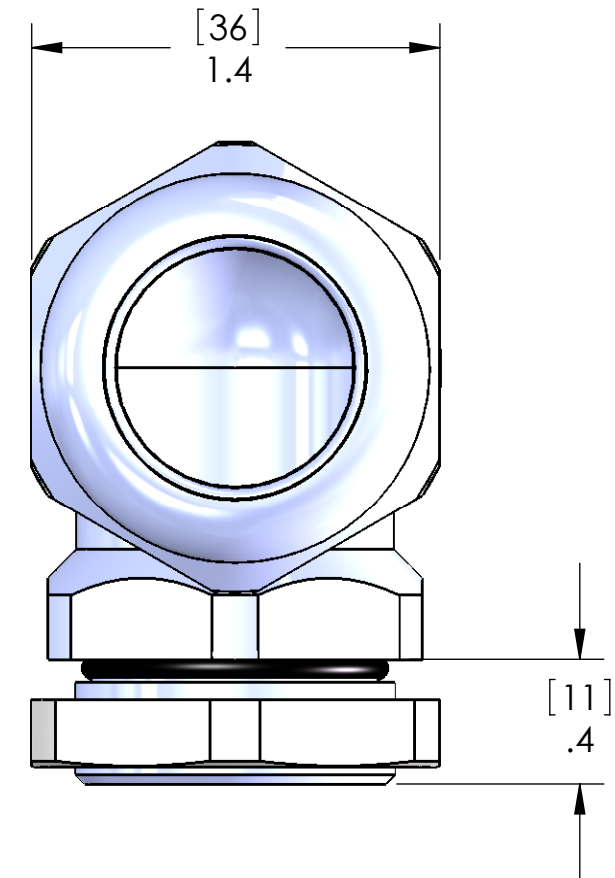


REVISIONS			
REV.	DESCRIPTION	DATE	APPROVED
A	REDRAWN IN SW	3/5/2007	



PG21 Thread



MATERIALS	
BODY:	POLYAMIDE
NUT:	POLYAMIDE
O-RING:	NBR
SEAL:	CR/NBR & TPE

PROPERTIES	
SEAL:	IP68 - 5 Bar
CABLE RANGE:	0.472" - 0.826" [12-21mm]
TEMP RANGE:	NBR
SEAL:	CR/NBR & TPE

UNLESS OTHERWISE SPECIFIED:		NAME	MENCOM CORPORATION		
DIMENSIONS ARE IN INCHES AND [MM]	DRAWN	DWM	TITLE:		
	CHECKED				
	ENG APPR.				
	MFG APPR.				
	Q.A.				
MATERIAL	COMMENTS:		SIZE	DWG. NO.	REV
FINISH			B	PCGA-21	A
DO NOT SCALE DRAWING		SCALE: 3:2	WEIGHT:	SHEET 1 OF 1	

PROPRIETARY AND CONFIDENTIAL
 THE INFORMATION CONTAINED IN THIS DRAWING IS THE SOLE PROPERTY OF MENCOM CORPORATION. ANY REPRODUCTION IN PART OR AS A WHOLE WITHOUT THE WRITTEN PERMISSION OF MENCOM CORPORATION IS PROHIBITED.