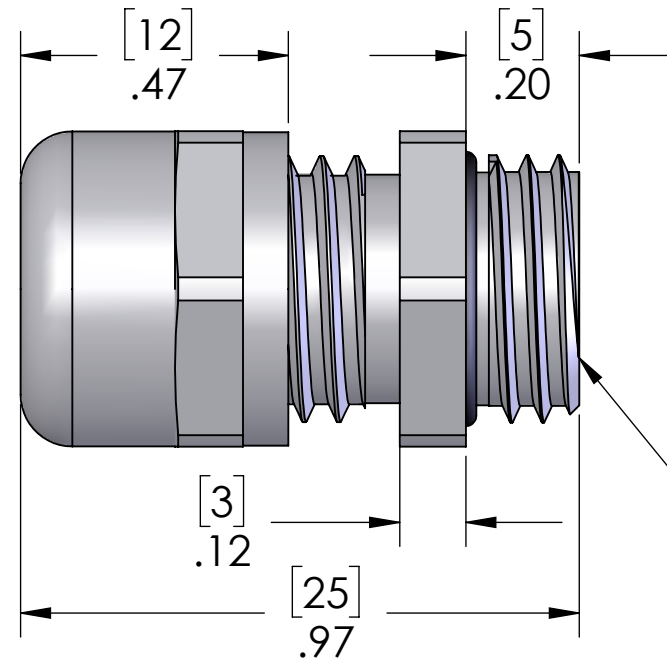
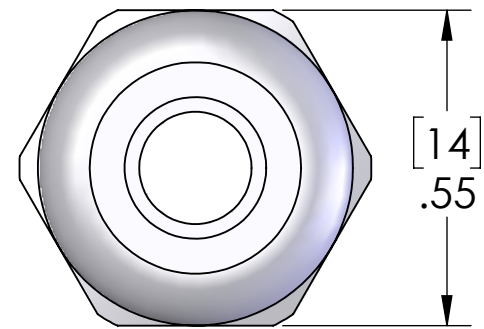
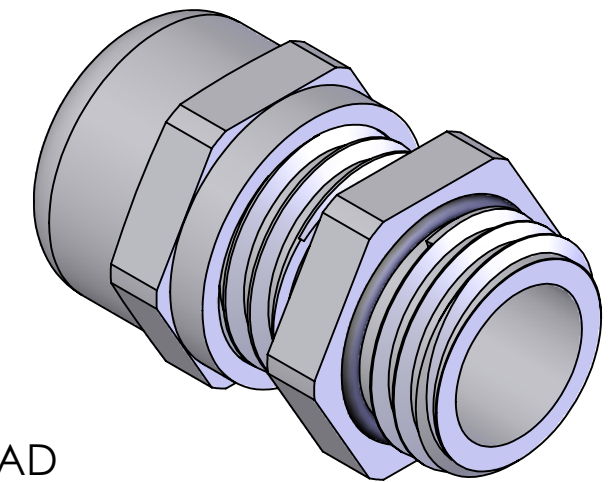


D
C
B
A



M12 X 1.5 THREAD



SEALING RANGE: 3-6MM
SEAL RATED TO: IP 68

**THESE GLANDS ARE EExeII RATED FOR EUROPEAN USE ONLY (DMT 99 ATEX E016)
THEY HAVE NOT BEEN TESTED TO U.S. EXPLOSION-PROOF RATINGS.**

MATERIALS:	
BODY:	NICKEL PLATED BRASS
INSERT:	POLYAMIDE
GROMMET:	NBR & TPE
LOCK NUT:	NICKEL PLATED BRASS
O-RING:	BUNA-N
SPECIFICATIONS:	
TEMPERATURE:	-25°C - +80°C

PROPRIETARY AND CONFIDENTIAL
THE INFORMATION CONTAINED IN THIS DRAWING IS THE SOLE PROPERTY OF MENCOM CORPORATION. ANY REPRODUCTION IN PART OR AS A WHOLE WITHOUT THE WRITTEN PERMISSION OF MENCOM CORPORATION IS PROHIBITED.

UNLESS OTHERWISE SPECIFIED: DIMENSIONS ARE IN INCHES AND [MM]	DRAWN BY	DCG
	DRAWN DATE	07/08/2019
	CHECKED BY	BEM
	CHECK DATE	07/08/2019
COMMENTS:		
MATERIAL		
FINISH		
DO NOT SCALE DRAWING		

MENCOM CORPORATION		
TITLE:		
SIZE	DWG. NO.	REV
B	MCGEX-M12	A
SCALE: 3:1	WEIGHT:	SHEET 1 OF 1