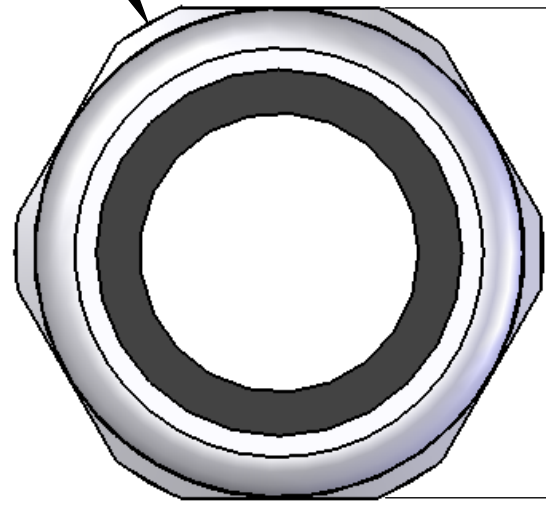
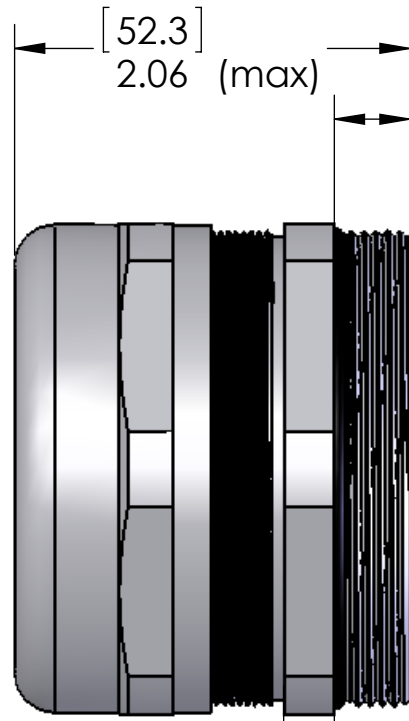


REVISIONS			
REV.	DESCRIPTION	DATE	APPROVED
A	REDRAWN IN NEW CAD	4/19/2016	

[69.8]  
Ø 2.75



[64.8]  
2.55



[52.3]  
2.06 (max)

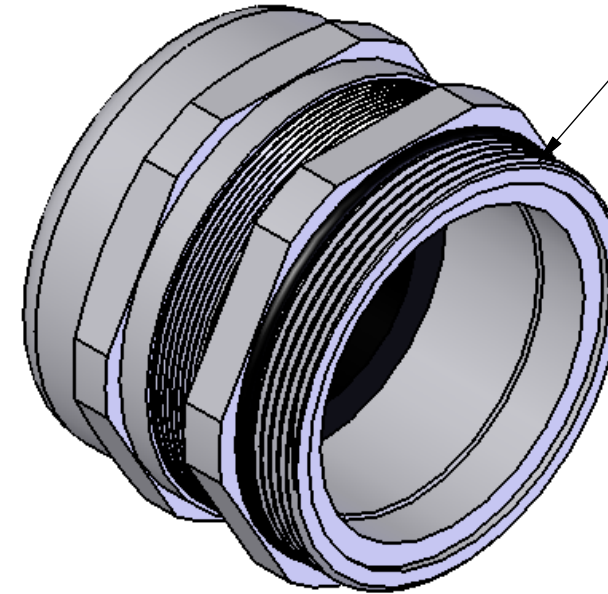
[10.0]  
.39

[70.0]  
2.76

[6.7]  
.26

[6.0]  
.24

(VIEW WITH INCLUDED LOCKNUT)



M63x1.5

SPECIFICATIONS:	
SEAL RATING:	IP68-5bar / IP69K
SEALING/CLAMPING RANGE:	27.0 - 48.0mm
TIGHTENING TORQUE:	13.5 Nm
TEMPERATURE:	-20°C - +100°C

MATERIALS:	
BODY:	NICKEL PLATED BRASS
INSERT:	POLYAMIDE
GROMMET:	NEOPRENE
LOCK NUT:	NICKEL PLATED BRASS
O-RING:	BUNA-N

**PROPRIETARY AND CONFIDENTIAL**  
THE INFORMATION CONTAINED IN THIS DRAWING IS THE SOLE PROPERTY OF MENCOM CORPORATION. ANY REPRODUCTION IN PART OR AS A WHOLE WITHOUT THE WRITTEN PERMISSION OF MENCOM CORPORATION IS PROHIBITED.

UNLESS OTHERWISE SPECIFIED:	
DIMENSIONS ARE IN INCHES	
MATERIAL	
FINISH	
DO NOT SCALE DRAWING	

NAME	
DRAWN	BEM
CHECKED	
ENG APPR.	
MFG APPR.	
Q.A.	
COMMENTS:	

MENCOM CORPORATION		
TITLE: M63x1.5 CBL GLND		
SIZE <b>B</b>	DWG. NO. MCG-M63	REV <b>A</b>
SCALE: 1:1	WEIGHT:	SHEET 1 OF 1