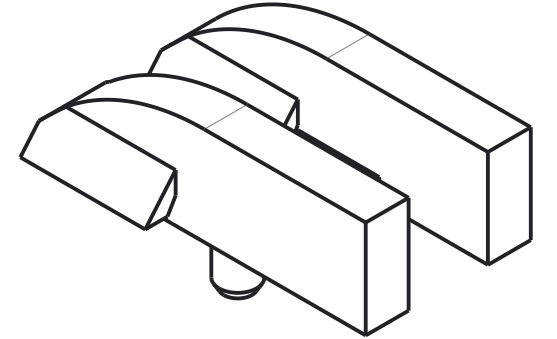
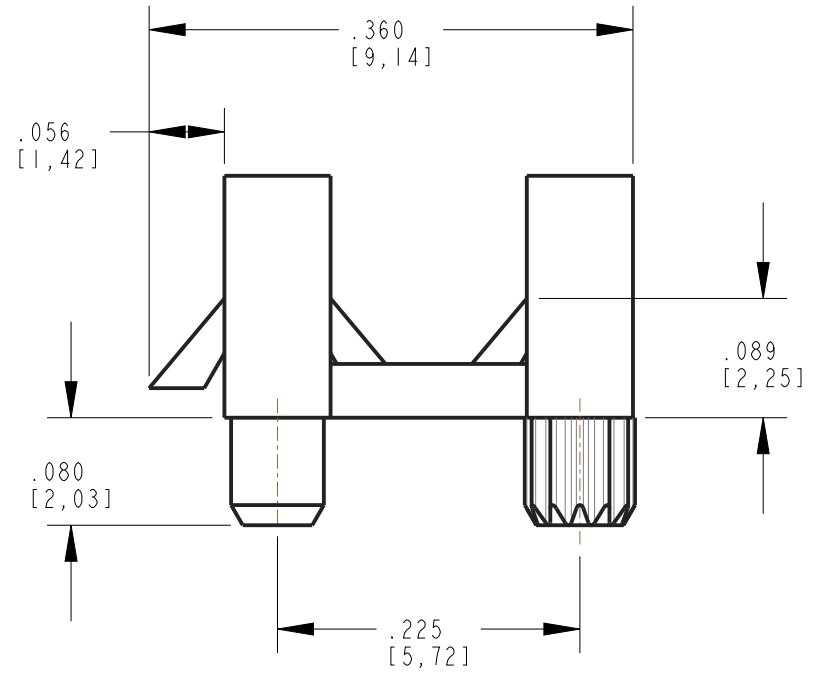
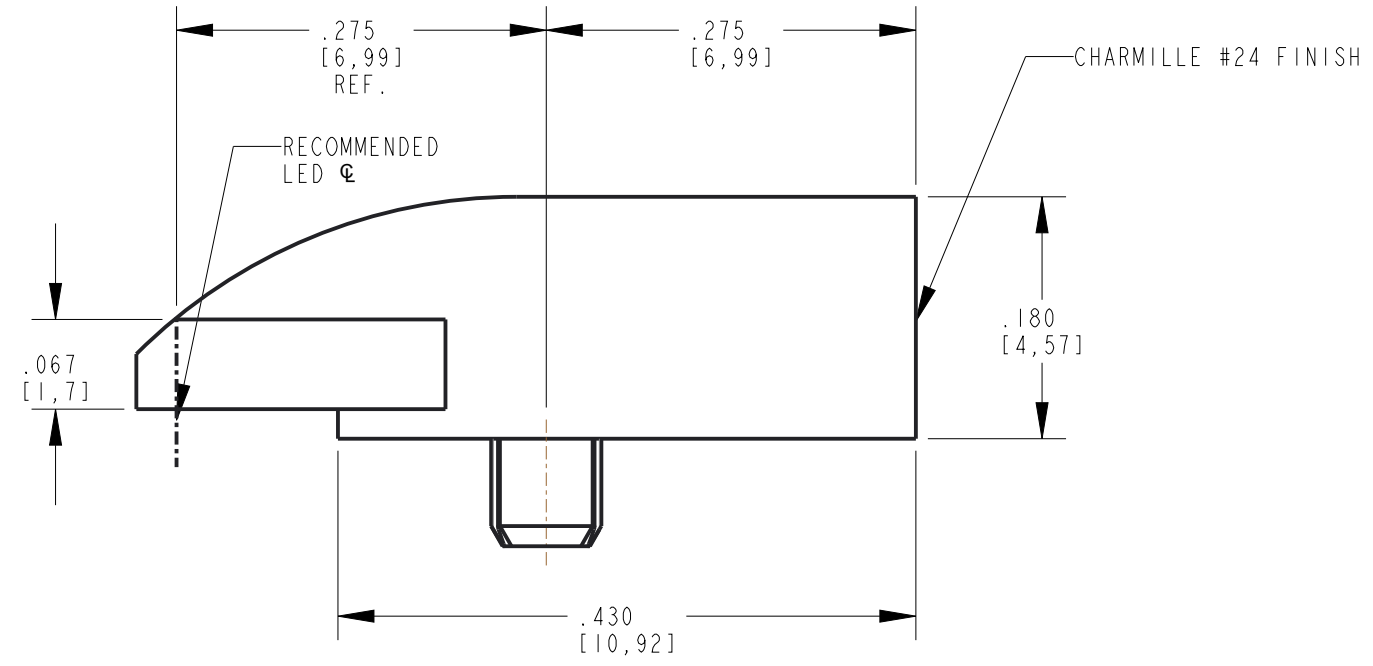
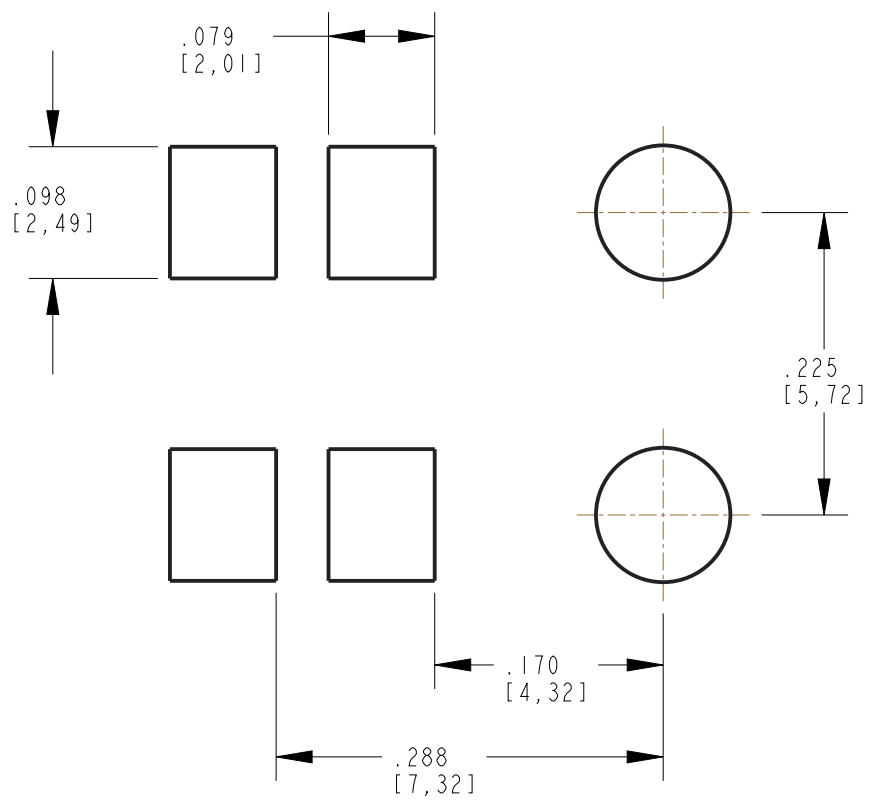
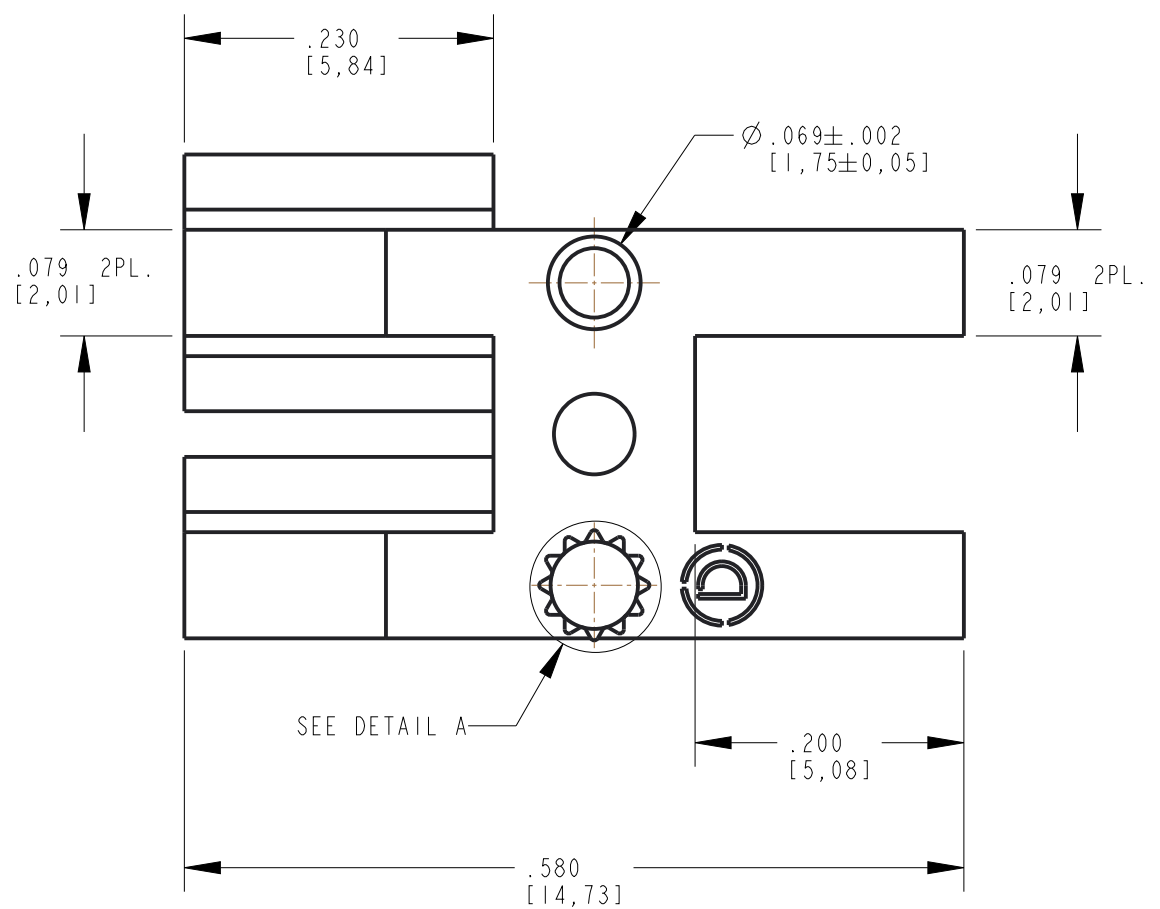


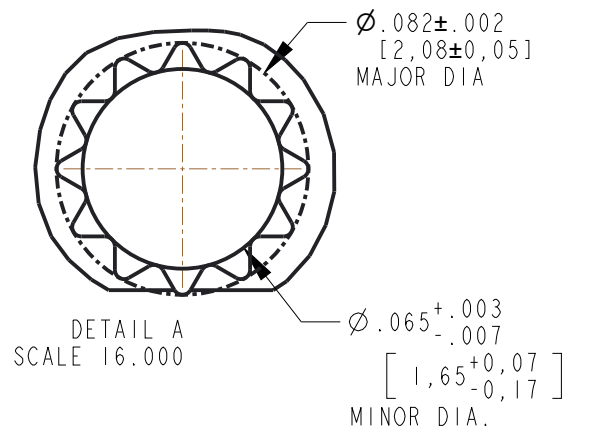
REV	ECN NO	REVISIONS	DRN	CKD	APP	QA	CM	DATE
A	93801	NEW RELEASE	LD	CS				8-10-22



SCALE 4.000



RECOMMENDED SOLDER PAD LAYOUT
SINGLE-COLOR



DETAIL A
SCALE 16.000

- DIALIGHT PART NUMBER: 515-1005F
- RECOMMENDED DIALIGHT LEDs:
SINGLE-COLOR: 597-3XX2-507F, 597-3XX1-507F
MULTI-COLOR: 597-84XX-207CF, 597-87XX-307F

THIS DRAWING AND THE CONTENTS HEREIN ARE CONFIDENTIAL AND THE SOLE PROPERTY OF DIALIGHT CORP. REPRODUCTION OF THIS DRAWING OR CONSTRUCTION OF ANY PARTS WITHIN THIS DRAWING ARE FORBIDDEN WITHOUT THE WRITTEN CONSENT OF DIALIGHT CORP.		
DIALIGHT CORP. INTERNAL REFERENCE ONLY = 3D MODEL : 5151005-A.4		
SCALE: 7.000	DRAWING NUMBER	REV
ALL DIM'S: INCH (mm)	C-18569	A
TOLERANCES: UNLESS OTHERWISE SPECIFIED	TITLE 2 ELEMENT LIGHTPIPE	
FRACTIONS: $\pm 1/64$ DECIMALS (.XX): $\pm .01$ DECIMALS (.XXX): $\pm .005$ DECIMALS (.XXXX): $\pm .0005$ ANGLES: $\pm 1^\circ$	MATERIAL CLEAR TRANSMISSIVE POLYCARBONATE	
FINISH		
FSCM 83330	1501 ROUTE 34 SOUTH FARMINGDALE, NJ 07727 (732) 919-3119 www.dialight.com	
SHEET 1 OF 1	FAMILY TABLE:	