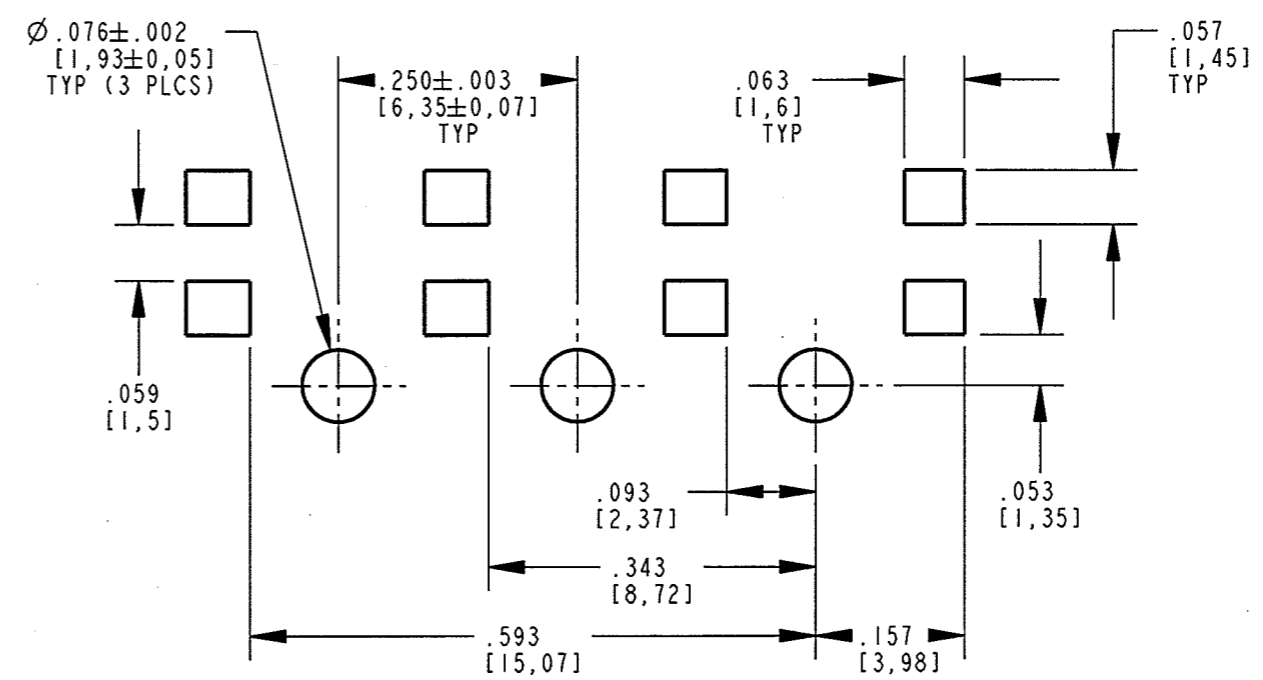
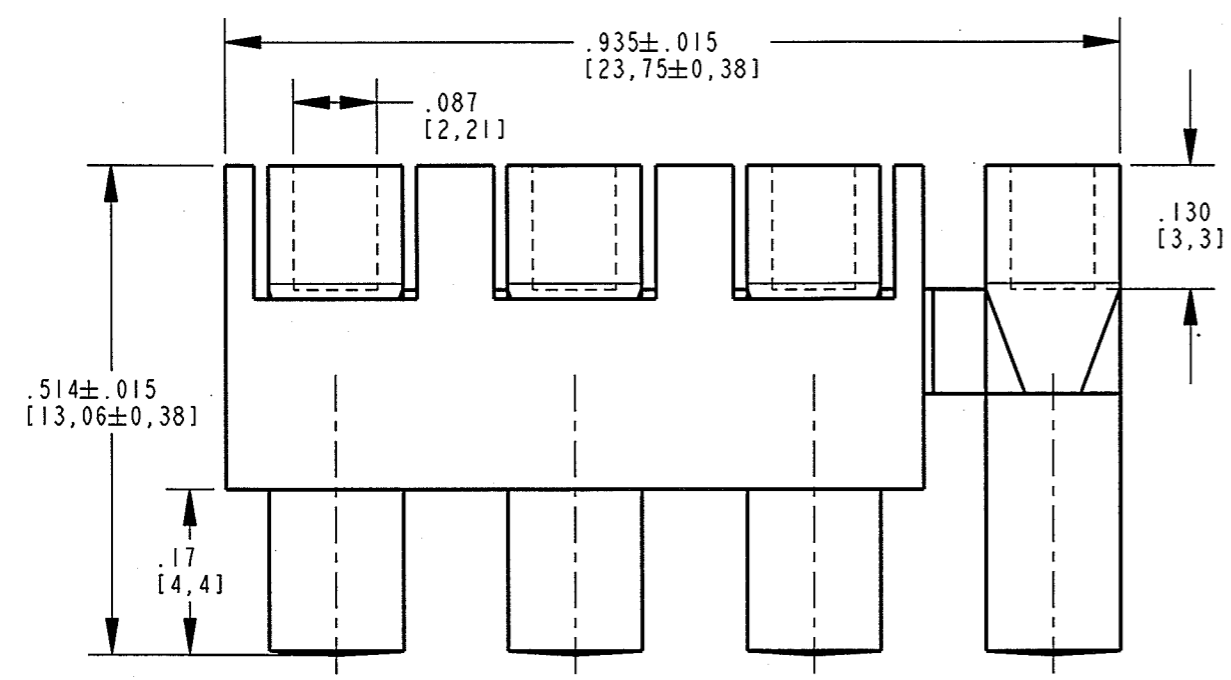
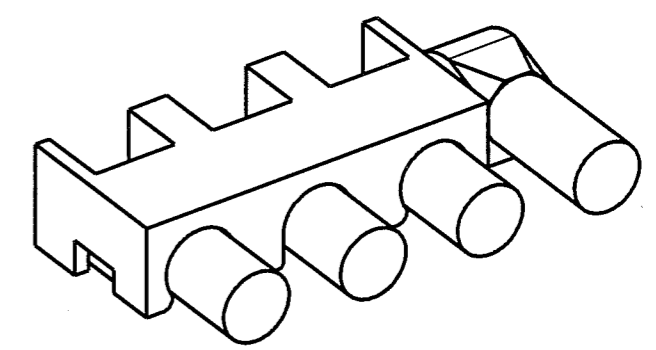
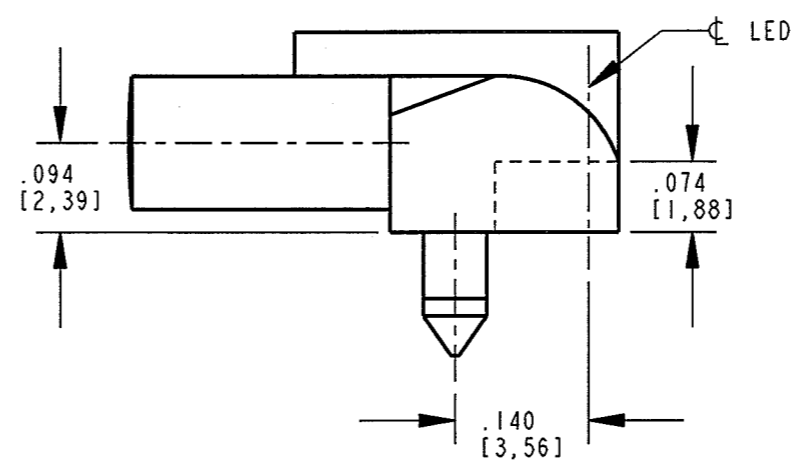
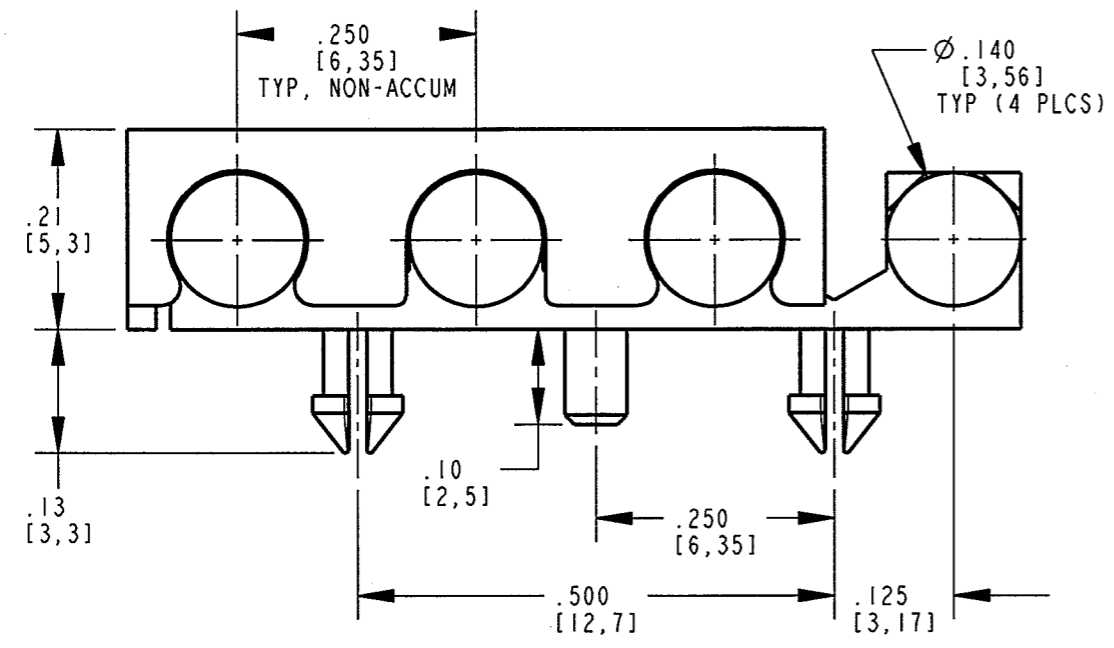


REV	ECN NO	REVISIONS	DRN	CKD	APP	QA	CM	DATE
A		NEW RELEASE	KLJ	RS				2-12-09



RECOMMENDED HOLE/SOLDER PAD LAYOUT



SCALE 3.000

NOTES:

1. LIGHT PIPE TO BE MOLDED IN A CLEAR TRANSMISSIVE POLYCARBONATE (UL 94V-0 FLAMMABILITY). LIGHT SHIELD TO BE MOLDED IN BLACK OPAQUE POLYBUTYLENE TEREPHTHALATE (UL 94V-0 FLAMMABILITY).
2. RECOMMENDED LIGHT SOURCES: SINGLE COLOR SMT LEDS (DIALIGHT P/N'S: 597-3XX1-40XF, 597-3XX1-50XF)
3. COMPONENTS DESIGNED TO BE MOUNTED INTO P.C. BOARD.
4. OPERATING/STORAGE TEMPERATURE: -30°C TO +100°C
5. DIALIGHT PART NUMBER: 515-1048-801F

RoHS COMPLIANT 515-1048-801F

Part Numbers with the "F" suffix ending are RoHS Compliant. Packaging is marked with "RoHS Compliant" label or equivalent markings.

THIS DRAWING AND THE CONTENTS HEREIN ARE CONFIDENTIAL AND THE SOLE PROPERTY OF DIALIGHT. REPRODUCTION OF THIS DRAWING OR CONSTRUCTION OF ANY PARTS WITHIN THIS DRAWING ARE FORBIDDEN WITHOUT THE WRITTEN CONSENT OF DIALIGHT.		
SCALE: 5.000	DRAWING NUMBER	REV
ALL DIM'S IN: INCHES (MM)	C-17709	A
TOLERANCES: UNLESS OTHERWISE SPECIFIED	TITLE 4 ELEMENT LIGHT PIPE W/ SHIELD RoHS COMPLIANT	
FRACTIONS: ±1/64	MATERIAL	
DECIMALS (.XX): ±.01	-	
DECIMALS (.XXX): ±.005	-	
ANGLES: ±3°	-	
FINISH:	-	
FSCM 83330	Dialight	1501 ROUTE 34 SOUTH FARMINGDALE, NJ 07727
	SHEET 1 OF 1	FAMILY TABLE: