

MATERIAL

Glass-fibre reinforced polyamide based (PA) technopolymer, grey-black colour, matte finish.

CAP

Glass-fibre reinforced polyamide based (PA) technopolymer, in Ergostyle colours, matte finish, press-fit assembly.
Available also as accessory sold separately (see table ECA.).

Code	Description	Cap for
29752-*	ECA.W2-*	EWN.40 EWN.48
29753-*	ECA.W3-*	EWN.55
29755-*	ECA.W5-*	EWN.63
29754-*	ECA.W4-*	EWN.70

* Complete with the index of the colour (C1, ..., C17).

STANDARD EXECUTIONS

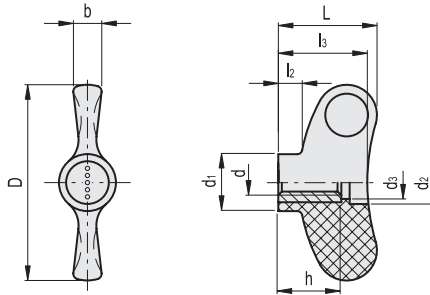
- **EWN-B:** brass boss, threaded pass-through hole, with cap.
- **EWN-SST:** AISI 303 stainless steel boss, threaded pass-through hole, with cap.
- **EWN-FP:** brass boss, threaded pass-through hole, without cap.
- **EWN-SST-FP:** AISI 303 stainless steel boss, threaded pass-through hole, without cap.
- **EWN-p:** zinc-plated steel threaded stud, chamfered flat end according to ISO 4753 (see Technical Data on page A-10), with cap.
- **EWN-SST-p:** AISI 303 stainless steel threaded stud, chamfered flat end according to ISO 4753 (see Technical Data on page A-10), with cap.



ERGOSTYLE® ELESA Original design



EWN-FP
EWN-SST-FP



* Complete with colour index, example: 90223221-C2 EWN.48 B-1/4-20-C2

- C1** RAL7021
- C2** RAL2004
- C3** RAL7035
- C4** RAL1021
- C5** RAL5024
- C6** RAL3000
- C17** RAL6017

EWN-FP

INCH

Code	Description	D	d2B	L	d1	d2	d3	l2	l3	b	h	C# [ft-lb]	⚖
90223116-C0	EWN.40 FP-1/4-20-C0	1.57	1/4-20	0.79	0.53	0.39	0.33	0.16	0.71	0.24	0.47	7	0.02
90223144-C0	EWN.63 FP-5/16-18-C0	2.48	5/16-18	1.26	0.75	0.55	0.41	0.3	1.14	0.35	0.79	33	0.06
90223145-C0	EWN.63 FP-3/8-16-C0	2.48	3/8-16	1.26	0.75	0.55	0.41	0.3	1.14	0.35	0.79	41	0.06

EWN-SST-FP

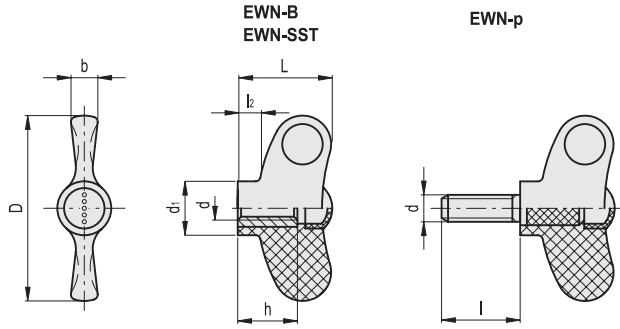
INOX STAINLESS STEEL

INCH

Code	Description	D	d2B	L	d1	d2	d3	l2	l3	b	h	C# [ft-lb]	⚖
90224116-C0	EWN.40 SST-FP-1/4-20-C0	1.57	1/4-20	0.79	0.53	0.39	0.33	0.16	0.71	0.24	0.47	7	0.02
90224221-C0	EWN.48 SST-FP-1/4-20-C0	1.85	1/4-20	0.94	0.53	0.39	0.33	0.22	0.85	0.28	0.47	7	0.02
90224241-C0	EWN.55 SST-FP-5/16-18-C0	2.17	5/16-18	1.1	0.63	0.47	0.41	0.26	0.98	0.31	0.71	15	0.04
90224256-C0	EWN.63 SST-FP-5/16-18-C0	2.48	5/16-18	1.26	0.75	0.55	0.41	0.3	1.14	0.35	0.79	33	0.06
90224406-C0	EWN.70 SST-FP-5/16-18-C0	2.76	5/16-18	1.42	0.79	0.59	0.51	0.31	1.26	0.39	0.79	33	0.07

Max limit Tightening torque means the max torque value at which the metal insert, in normal conditions of use, is perfectly and strongly anchored to the plastic material.

Clamping knobs



* Complete with colour index, example: 90223221-C2 EWN.48 B-1/4-20-C2

C1 RAL7021 **C2** RAL2004 **C3** RAL7035 **C4** RAL1021 **C5** RAL5024 **C6** RAL3000 **C17** RAL6017

INCH

EWN-B

Code	Description	D	d2B	L	d1	l2	b	h	C# [ft-lb]	⚖️
90223206-*	EWN.40 B-1/4-20-*	1.57	1/4-20	0.79	0.53	0.16	0.24	0.47	8	0.02
90223221-*	EWN.48 B-1/4-20-*	1.85	1/4-20	0.94	0.53	0.22	0.28	0.47	8	0.02
90223236-*	EWN.55 B-1/4-20-*	2.17	1/4-20	1.1	0.63	0.26	0.31	0.71	15	0.05
90223241-*	EWN.55 B-5/16-18-*	2.17	5/16-18	1.1	0.63	0.26	0.31	0.71	19	0.04
90223251-*	EWN.63 B-5/16-18-*	2.48	5/16-18	1.26	0.75	0.3	0.35	0.79	33	0.06
90223256-*	EWN.63 B-3/8-16-*	2.48	3/8-16	1.26	0.75	0.3	0.35	0.79	43	0.06
90223406-*	EWN.70 B-5/16-18-*	2.76	5/16-18	1.42	0.79	0.31	0.39	0.79	33	0.08
90223411-*	EWN.70 B-3/8-16-*	2.76	3/8-16	1.42	0.79	0.31	0.39	0.79	43	0.08

EWN-SST

INOX STAINLESS STEEL

INCH

Code	Description	D	d2B	L	d1	l2	b	h	C# [ft-lb]	⚖️
90224206-*	EWN.40 SST-1/4-20-*	1.57	1/4-20	0.79	0.53	0.16	0.24	0.47	7	0.02
90224221-*	EWN.48 SST-1/4-20-*	1.85	1/4-20	0.94	0.53	0.22	0.28	0.47	7	0.02
90224241-*	EWN.55 SST-5/16-18-*	2.17	5/16-18	1.1	0.63	0.26	0.31	0.71	11	0.05
90224406-*	EWN.70 SST-5/16-18-*	2.76	5/16-18	1.42	0.79	0.31	0.39	0.79	18	0.09

EWN-p

INCH

Code	Description	D	d2A	L	d1	l	l2	b	C# [ft-lb]	⚖️
90223453-*	EWN.40 p-1/4-20x3/4-*	1.57	1/4-20	0.79	0.53	0.750	0.16	0.24	9	0.03
90223455-*	EWN.40 p-1/4-20x1-*	1.57	1/4-20	0.79	0.53	1.000	0.16	0.24	7	0.03
90223536-*	EWN.48 p-1/4-20x3/4-*	1.85	1/4-20	0.94	0.53	0.750	0.22	0.28	9	0.04
90223541-*	EWN.48 p-1/4-20x1-*	1.85	1/4-20	0.94	0.53	1.000	0.22	0.28	9	0.05
90223546-*	EWN.48 p-5/16-18x3/4-*	1.85	5/16-18	0.94	0.53	0.750	0.22	0.28	13	0.05
90223551-*	EWN.48 p-5/16-18x1-*	1.85	5/16-18	0.94	0.53	1.000	0.22	0.28	13	0.06
90223636-*	EWN.55 p-5/16-18x3/4-*	2.17	5/16-18	1.1	0.63	0.750	0.26	0.31	16	0.05
90223641-*	EWN.55 p-5/16-18x1-*	2.17	5/16-18	1.1	0.63	1.000	0.26	0.31	16	0.06
90223646-*	EWN.55 p-5/16-18x1½-*	2.17	5/16-18	1.1	0.63	1.500	0.26	0.31	16	0.07
90223726-*	EWN.63 p-5/16-18x3/4-*	2.48	5/16-18	1.26	0.75	0.750	0.3	0.35	24	0.07
90223736-*	EWN.63 p-5/16-18x1-*	2.48	5/16-18	1.26	0.75	1.000	0.3	0.35	24	0.07
90223746-*	EWN.63 p-5/16-18x1½-*	2.48	5/16-18	1.26	0.75	1.500	0.3	0.35	24	0.08
90223756-*	EWN.63 p-3/8-16x1-*	2.48	3/8-16	1.26	0.75	1.000	0.3	0.35	35	0.08
90223766-*	EWN.63 p-3/8-16x1½-*	2.48	3/8-16	1.26	0.75	1.500	0.3	0.35	35	0.09
90223871-*	EWN.70 p-3/8-16x1-*	2.76	3/8-16	1.42	0.79	1.000	0.31	0.39	35	0.11
90223876-*	EWN.70 p-3/8-16x1½-*	2.76	3/8-16	1.42	0.79	1.500	0.31	0.39	35	0.13

EWN-SST-p

INOX STAINLESS STEEL

INCH

Code	Description	D	d2A	L	d1	l	l2	b	C# [ft-lb]	⚖️
90224453-*	EWN.40 SST-p-1/4-20x3/4-*	1.57	1/4-20	0.79	0.53	0.750	0.16	0.24	8	0.03
90224536-*	EWN.48 SST-p-1/4-20x3/4-*	1.85	1/4-20	0.94	0.53	0.750	0.22	0.28	8	0.04
90224641-*	EWN.55 SST-p-5/16-18x1-*	2.17	5/16-18	1.1	0.63	1.000	0.26	0.31	12	0.06
90224766-*	EWN.63 SST-p-5/16-18x1-*	2.48	5/16-18	1.26	0.75	1.000	0.3	0.35	33	0.09
90224876-*	EWN.70 SST-p-3/8-16x1½-*	2.76	3/8-16	1.42	0.79	1.500	0.31	0.39	33	0.11

"Max limit Tightening torque" means the max torque value at which the metal insert, in normal conditions of use, is perfectly and strongly anchored to the plastic material.