

- 1
- 2
- 3
- 4
- 5
- 6
- 7
- 8
- 9
- 10
- 11
- 12
- 13
- 14
- 15
- 16
- 17
- 18

## MATERIAL

Glass-fibre reinforced polyamide based (PA) technopolymer, black colour, matte finish.

## ROTATING PIN

AISI 303 stainless steel, totally moulded in the hinge body.

## STANDARD EXECUTIONS

- **CFJ-B**: nickel-plated brass bosses with threaded hole.
- **CFJ-p**: nickel-plated steel threaded studs.
- **CFJ-EH**: pass-through holes for hexagonal head screws.
- **CFJ-B-SH**: nickel-plated brass bosses with threaded hole and pass-through holes for countersunk head screws.

## FEATURES AND APPLICATIONS

The pin is totally moulded in the hinge body (ELESA patent) thus it cannot be extracted, preventing any hinge tampering. This characteristic makes the hinge particularly suitable for mounting on structures or equipments requiring protection against intrusion.

## ROTATION ANGLE (APPROXIMATE VALUE)

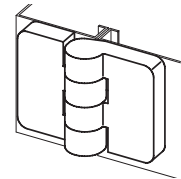
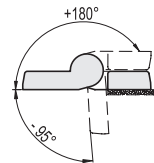
Max 275° (-95° and +180° being 0° the condition where the two interconnected surfaces are on the same plane).

Do not exceed the rotation angle limit so as not to prejudice the hinge mechanical performance.

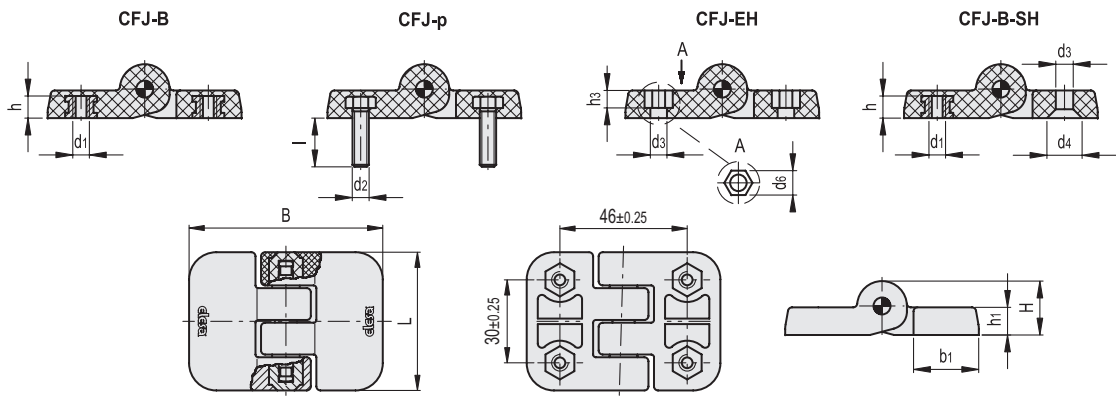
To choose the convenient type and the right number of hinges for your application, see the Guidelines (see page 1298).



FEM design



Resistance tests	AXIAL STRESS		RADIAL STRESS		90° ANGLED STRESS	
	Maximum working load Ea [N]	Load at breakage Ra [N]	Maximum working load Er [N]	Load at breakage Rr [N]	Maximum working load E90 [N]	Load at breakage R90 [N]
CFJ.50 B-M6	730	4170	2220	4450	710	2250
CFJ.50 p-M6x17	1420	4410	2180	4350	510	2220
CFJ.50 EH-6	1740	3470	1490	2970	460	2120
CFJ.50-R B-M6-SH-6	1480	2780	1310	2490	390	1900



Code	Description	L	B	d1	h	d2	l	H	h1	h3	b1	d3	d4	d6	C [Nm] B#	C [Nm] p#	C [Nm] EH/SH#	Δ
424611	CFJ.50 B-M6	50	70	M6	8	-	-	19.5	10	-	23.5	-	-	-	5	-	-	66
424621	CFJ.50 p-M6x17	50	70	-	-	M6	17	19.5	10	-	23.5	-	-	-	-	4	-	71
424631	CFJ.50 EH-6	50	70	-	-	-	-	19.5	10	5.5	23.5	6.5	-	10	-	-	5	46
424671	CFJ.50-R B-M6-SH-6	50	70	M6	8	-	-	19.5	10	-	23.5	6.5	12.5	-	5	-	3	54