

Surge Protective Device

Technical Documentation



EXPOSED TERMINAL MODEL



NEMA 4X MODEL

The **ASCO Model 252** is an advanced 3-stage hybrid, solid state power line protector. Features such as noise filtering, common mode and normal mode suppression, nanosecond reaction time, power line tracking, and compression screw terminations, make the Model 252 an excellent choice in commercial and industrial applications.

Model 252 offers a replaceable fuse designed to remove the load from the line in the event the unit is overloaded or the internal protection stops working.

Key Specs

- **Voltage:** 120 VAC
- **Current:** 15 Amp
- **Connection:** Hardwire/
Terminal Block
- **Mounting:** Flange

Features

- Fast response time
- Status Indicator
- Power line tracking
- EMI/RFI noise filtering
- 3-stage hybrid design
- Replaceable fuse
- Enclosure Options

Certifications

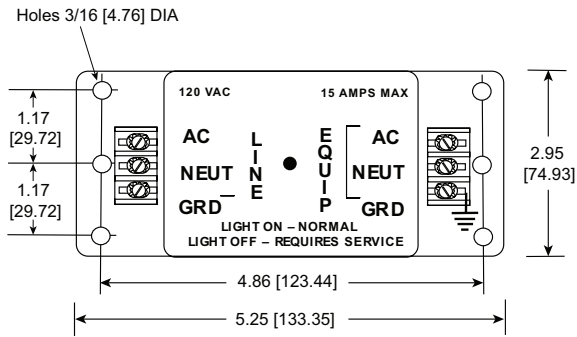
- UL 1449 recognized
- RoHS compliant

General Technical Specifications

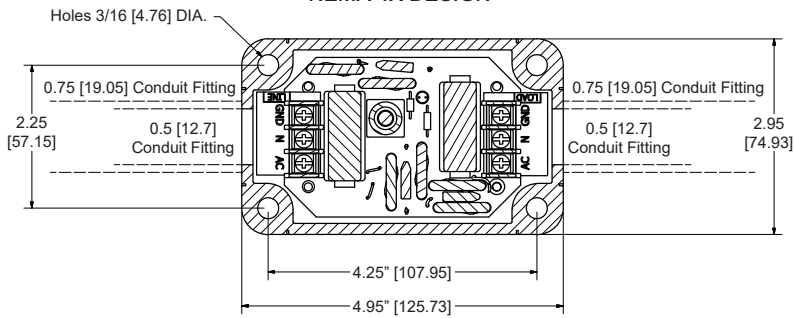
| | |
|-----------------------|--|
| Operating Voltage | 120 VAC |
| Clamping Voltage | 200-240 VAC |
| Operating Current | 15 A |
| Peak Surge Current | 39 kA (8 x 20 μs) |
| Operating Frequency | 47-63 Hz |
| EMI Attenuation | > 40 dB (100 kHz to 100 MHz) |
| SPD Technology | Metal Oxide Varistors (MOVs) w/ L-C Filter |
| Modes of Protection | Line-to-Neutral, Line-to-Ground, Neutral-to-Ground |
| Status Indication | Power On & MOVs functional |
| Connection Type | 3 position, 20 A terminal block w/ compression screws Terminals accept up to 14 AWG |
| Operating Temperature | -40°C to +85°C |
| Dimensions (in / mm) | Exposed Terminal Design: 1.8" H x 2.9" W x 5.3" L [46 x 74 x 135 mm] NEMA 4X: 2.95" H x 4.95" W x 3.0" L [74.93 x 125.73 x 76.2 mm] |
| Weight (oz / kg) | 10 oz [0.28 kg] |
| Certifications | UL 1449 recognized |
| Limited Warranty | 5 years |

Dimensions

EXPOSED TERMINAL DESIGN MODEL



NEMA 4X DESIGN



Ordering Information

MODEL

Former Model Name

APPLICATION

252120NF015AN3N0

Edco HSP-121BT1RU

120VAC (L,N,G), 15Amp,
Single Phase,
Exposed Terminal Design

252120NF015AN3J0

Edco HSP-121A

120VAC (L,N,G), 15Amp,
Single Phase, NEMA 4X