

## FEATURES

- 50  $\Omega$  impedance
- Operating frequency is 6GHz
- Gold-plated body
- Gold-plated contacts ensure maximum efficiency

## RS PRO Coaxial Connectors

RS Stock No.:

2537069



RS Professionally Approved Products bring to you professional quality parts across all product categories. Our product range has been tested by engineers and provides a comparable quality to the leading brands without paying a premium price.

### Product Description

The cable mount MCX connector plug is suitable for operating frequencies ranging from 0 - 6 GHz. It is designed for 50  $\Omega$  impedance applications. This straight connector plug offers solder termination and includes gold plated brass body and contacts for superior connectivity. It is compatible with RG174/U type cable. The snap on mechanism gives flexibility in PCB layouts by allowing for 360° rotation.

### General Specifications

Type of coaxial connector	MCX male connector
Body Orientation	Straight
Body Plating	Gold
Body Material	Copper
Termination Method	Crimp
Contact Material	Phosphor copper
Contact Plating	Gold
Mounting Type	Cable Mount
Gender	Male
Insulation Material	PTFE
Cable type	RG174/U

### Electrical Specifications

Temperature Range	-45° ~+125°
Characteristic Impedance	50 $\Omega$
Frequency Range	0~6GHz
Working Voltage	170V
Insulation Resistance	$\geq 1000M\Omega$
Medium Pressure	500V(rms)
VSWR	$\leq 1.10+0.04f(\text{GHz})$
Working Life	500Cycles

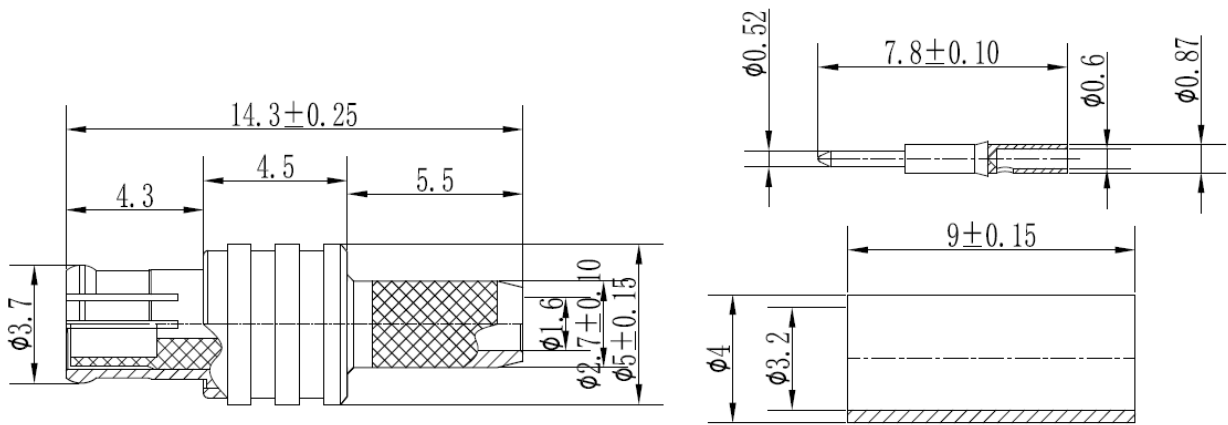
**Approvals**

Declarations	CE
Hazardous Area Certification	
Standards Met	ROHS

**Similar Products**

Stock No.	Brand	Product Name	Attribute 1	Attribute 2	Attribute 3
2455036	RS PRO	RF coaxial connector	50Ω impedance	Operating frequency is 6GHz	

Connection Diagrams / Assembly Diagrams / Illustrations / Accessories



建议剥线尺寸

