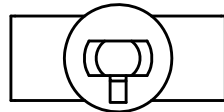
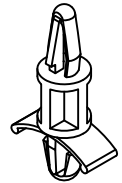


THIS DOCUMENT IS THE PROPERTY OF KEYSTONE ELECTRONICS CORP. AND SHALL NOT BE REPRODUCED, DISTRIBUTED OR USED AS A BASIS FOR MANUFACTURE WITHOUT PRIOR WRITTEN PERMISSION FROM KEYSTONE ELECTRONICS CORP.

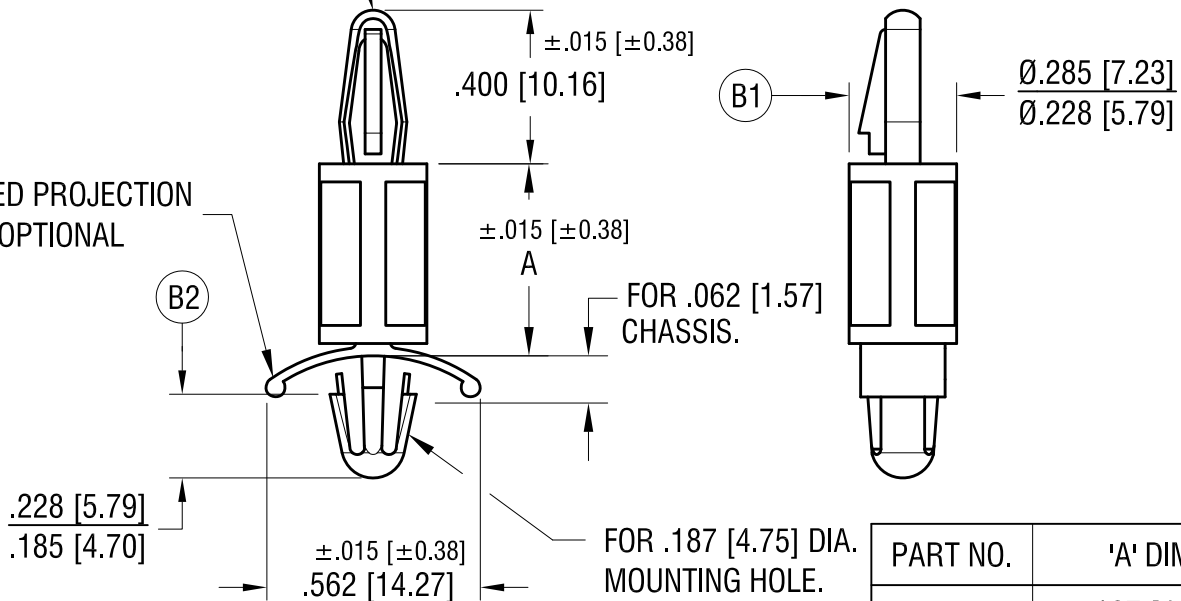
ACTUAL SIZE

P/N 8809



FOR .156 [3.96] DIA. MOUNTING DETAIL.

ROUNDED PROJECTION IS OPTIONAL



PART NO.	'A' DIM.
8807	.187 [4.74]
8808	.250 [6.35]
8809	.375 [9.52]
8810	.500 [12.70]
8811	.625 [15.87]
8812	.750 [19.05]
8813	.875 [22.22]
8814	1.000 [25.40]

KEYSTONE ELECTRONICS CORP.

www.keyelco.com • NEW HYDE PARK, NY 11040 • Tel (516) 328-7500

PART NAME				PC LOCK-IN SUPPORT			
MATERIAL				NYLON 6/6, UL 94V-0			
FINISH		NONE		DRN BY	BOONE	DATE	11.17-.95
TOLERANCES		INCH [MM]		APP'D	LN	SCALE	2X
DECIMAL		$\pm .005$ [± 0.13]		DWG NO.		8807-8814	
ANGULAR		$\pm 1^\circ$		CODE		C	
UNLESS OTHERWISE SPECIFIED							

7.09.21	(B1) WAS .218 \pm .010, (B2) WAS 280 \pm .005 CHANGE AS PER ECN 21-065	B
7.18.18	CHANGE AS PER ECN 18-028	A
DATE	DESCRIPTION	REV.