

## FEATURES

- 50  $\Omega$  impedance
- Operating frequency is 6GHz
- Gold-plated body
- Gold-plated contacts ensure maximum efficiency

## RS PRO Family Name

RS Stock No.: 2469396



RS Professionally Approved Products bring to you professional quality parts across all product categories. Our product range has been tested by engineers and provides a comparable quality to the leading brands without paying a premium price.

### Product Description

The straight cable mount SMA connector plug features gold plating contact. This male connector plug is suitable use with semi-rigid and flexible coaxial cable. It is designed to provide high frequency performance at high power ratings in small diameters. It is also suitable for design and development work and where large quantity usage requires repeatability in performance.

### General Specifications

Type of coaxial connector	SMA connector
Body Orientation	Straight
Body Plating	Gold
Body Material	Copper
Termination Method	Solder
Contact Material	Copper
Contact Plating	Gold
Mounting Type	Cable Mount
Gender	Male
Insulation Material	PTFE
Cable type	RG405

### Electrical Specifications

Temperature Range	-45°~+125°
Characteristic Impedance	50Ω
Frequency Range	0~6GHz
Working Voltage	335V
Insulation Resistance	≥1000MΩ
Medium Pressure	750V(rms)
VSWR	≤1.3
Working Life	500Cycles

### Protection Category

--	--

**Additional Information**

EAN	
Custom Tariff Number	

**Classification**

eCl@ss (Version)	
UNSPSC (Version)	

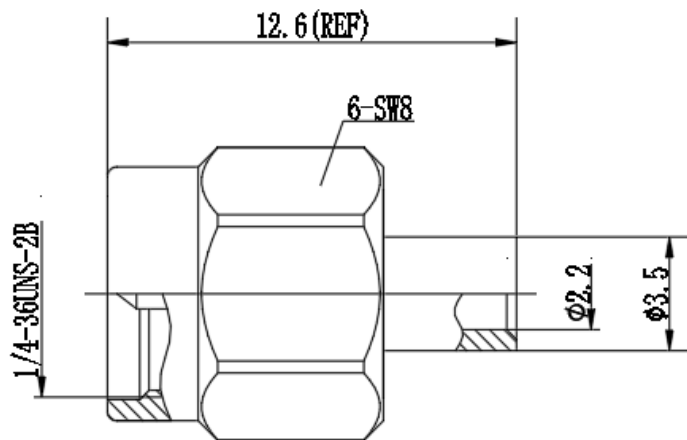
**Approvals**

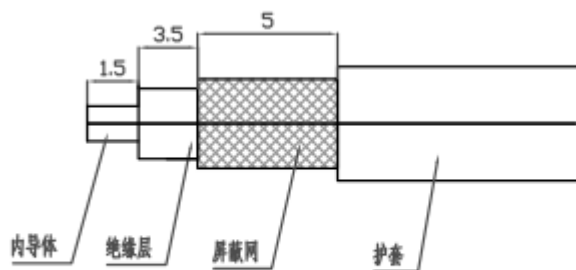
Declarations	CE
Hazardous Area Certification	
Standards Met	ROHS

**Similar Products**

Stock No.	Brand	Product Name	Attribute 1	Attribute 2	Attribute 3
5463080	RS PRO	RF coaxial connectorr	50Ω impedance	Operating frequency is 6GHz	

Connection Diagrams / Assembly Diagrams / Illustrations / Accessories





建议剥线尺寸