

TECHNICAL DATA

Fluke 3540 FC Three-Phase Power Monitor



THREE-PHASE MONITORING AND STREAMING

Monitor three-phase systems and stream data to the Fluke Connect Cloud

CONNECTED

The measurement data from the Fluke Connect Cloud is available on any connected device using the Fluke Connect mobile app or Fluke Connect Condition Monitoring software

EASY-TO-INSTALL AND MOVE

Powered from the measurement circuit, configuration checker can automatically correct connection errors

ALWAYS ON

The Monitor includes a mode to log measurements when no connection to the Fluke Connect Cloud is available

The 3540 FC Three-Phase Power Monitor is a compact device to monitor key electrical parameters at three-phase machinery (or equipment) and stream data to the Fluke Connect® Cloud. The measurement data is available on any connected device using Fluke Connect mobile app or Fluke Connect® Condition Monitoring software.

Graphs are available to show the trends and fluctuations of the measurements during the monitoring period. Alarm settings notify users immediately when measurement values are outside specified thresholds.

Monitoring the electrical parameters like current and distortion can reveal how the machinery (or equipment) is performing, for example:

- A baseline current or load at a critical pump is trending dangerously close to the motor's maximum current rating, taking service factor into account.
- The total power at an induction furnace appears to be fluctuating abnormally during a curing cycle.
- Determining how often a submersible or hydraulic pump is cycling on/off to maintain flow or pressures, in some cases simply validates their is power to the pump.

Immediate access to information about machinery performance can be the difference between preventing a production stoppage. Understanding a machines change in performance triggers the need to investigate further, the alternative is unknowingly letting the machine run to fail.

Measurement:

- Single or three phase loads
- Voltage, Current and Frequency
- Power including Active Power (VA), Non-active power (var) and Power Factor (PF)
- Total Harmonic Distortion (%)

The Monitor includes a mode to log measurements when no connection to the Fluke Connect® Cloud is available. You can transfer Logged data with the Fluke Connect mobile app.

The total number of measurements depends on the selected topology (wiring configurations), like wye, delta, or split phase.

Specifications

General specifications		
Color LCD display	4.3-inch active matrix color TFT, 480 pixels x 272 pixels, resistive touch panel	
Warranty	3540 FC and built-in power supply	2 years (battery not included)
	Accessories	1 year
Calibration cycle	2 years	
Dimensions (wxhxd)	3540 FC	19.8 cm x 16.7 cm x 5.5 cm (7.8 in x 6.6 in x 2.2 in)
	Detachable power supply	13.0 cm x 13.0 cm x 4.5 cm (5.1 in x 5.1 in x 1.8 in)
	3540 FC with power supply attached	19.8 cm x 16.7 cm x 9 cm (7.8 in x 6.6 in x 4.0 in)
Weight	3540 FC	1.1kg (2.5 lb)
	Power Supply	400 g (0.9 lb)
Tamper protection	Kensington lock	

Environmental specifications	
Operating temperature	0 °C to 45 °C (32 °F to 113 °F)
Storage temperature	<20 °C to +60 °C (-4 °C to +140 °F), with battery: -20 °C to +50 °C (-4 °F to +122 °F)
Operating humidity	<10 °C (<50 °F) non condensing
	10 °C to 30 °C (50 °F to 86 °F) ≤95 %
	30 °C to 40 °C (86 °F to 104 °F) ≤75 %
	40 °C to 45 °C (104 °F to 113 °F) ≤45 %
Operating altitude	2000 m (6,500 ft) (up to 4,000 m derate to 1000 V CAT II/600 V CAT III/300 V CAT IV)
Storage altitude	12,000 m (39,000 ft)
IP rating	IEC 60529:IP50, in connected condition with protection caps in place
Vibration	MIL-T-28800E, Type 3, Class III, Style B

Safety		
IEC 61010-1	IEC mains input	Overvoltage Category II, Pollution Degree 2
	Voltage terminals	Overvoltage Category IV, Pollution Degree 2
IEC 61010-2-033	CAT IV 600 V / CAT III 1000 V	

Electromagnetic compatibility (EMC)	
International	IEC 61326-1: Industrial
Korea (KCC)	Class A Equipment (Industrial Broadcasting & Communication Equipment)
USA (FCC)	47 CFR 15 subpart B. This product is considered an exempt device per clause 15.103.

Wireless radio with adapter	
Frequency range	2412 MHz to 2462 MHz
Output power	<100 mW

Electrical specifications		
Single and Three Phase Topologies		
Wiring configurations	1- Φ , 1- Φ IT, Split phase, 3- Φ wye, 3- Φ wye IT, 3- Φ wye balanced, 3- Φ delta, 3- Φ Aron/Blondel (2-element delta), 3- Φ delta open leg, 3- Φ high leg delta, 3- Φ delta balanced. Currents only (load studies)	
Voltage inputs		
Number of inputs	4 (3 phases and neutral)	
Maximum input voltage	1000 Vrms (1700 Vpk) phase to neutral	
Input impedance	10 M Ω each phase to neutral	
Bandwidth	42.5 Hz to 3.5 kHz	
Scaling	1:1, variable	
Current inputs		
Number of inputs	3, mode selected automatically for attached sensor	
Current sensor output voltage	Clamp	500 mVrms / 50 mVrms; CF 2.8
	Rogowski coil	150 mVrms/15 mVrms at 50 Hz, 180 mVrms/18 mVrms at 60 Hz; CF 4; all at nominal probe range
Bandwidth (-3 dB)	42.5 Hz to 3.5 kHz	
Scaling	1:1 and variable	
Data acquisition		
Resolution	16-bit synchronous sampling	
Sampling frequency	10.24 kHz at 50/60Hz, synchronized to mains frequency	
Input signal frequency	Mains 50/60 Hz (42.5 to 69 Hz)	
Data storage	Internal flash memory (not user replaceable)	
Memory size	Typical 1 offline logging session of 1 week with 1 second intervals. The number of possible logging sessions and logging period depends on user requirements.	
Measured parameters	Voltage, current, frequency, THD V, THD A, power, power factor, fundamental power, DPF	
Averaging interval	1 s	
Total harmonic distortion	THD for voltage and current is calculated on 25 harmonics	
Calculated min/max values times		
Voltage	Full cycle RMS (20 ms at 50 Hz, 16.7 ms at 60 Hz)	
Current	Half cycle RMS (10 ms at 50 Hz, 8.3 ms at 60 Hz)	
Power	200 ms	
Interfaces		
USB-A	Firmware updates, max. supply current: 120 mA	
WiFi		
Supported modes	Direct connection and connection to infrastructure	
Security	WPA2-AES with pre-shared key	
Power supply		
Voltage range	nominal 100 V to 500 V (85 V min to 550 V max) using safety plug input	
Mains power	nominal 100 V to 240 V (85 V min to 265 V max) using IEC 60320 C7 input	
Power consumption	Maximum 50 VA (max. 15 VA when powered using IEC 60320 input)	
Standby power	<0.3 W only when powered using IEC 60320 input	
Efficiency	$\geq 68.2\%$ (in accordance with energy efficiency regulations)	
Mains frequency	50/60 Hz $\pm 15\%$	
Battery power	Li-ion 3.7 V, 9.25 Wh, customer-replaceable	
On-battery runtime	Up to 4 hr (up to 5.5 hr in energy saving mode)	
Charging time	<6 hr	

Accuracy at reference conditions

Parameter	Range	Accuracy		
		Max. resolution	Intrinsic accuracy at reference conditions (% of reading + % of range)	
Voltage	1000 V	0.1 V	± (0.2 % + 0.01 %)	
Current				
Direct input	Rogowski Mode	15 mV	0.01 mV	± (0.3 % + 0.02 %)
		150 mV	0.1 mV	± (0.3 % + 0.02 %)
	Clamp Mode	50 mV	0.01 mV	± (0.2 % + 0.02 %)
		500 mV	0.1 mV	± (0.2 % + 0.02 %)
1500 A iFlex	150 A		0.01 A	± (1 % + 0.02 %)
	1500 A		0.1 A	± (1 % + 0.02 %)
3000 A iFlex	300 A		1 A	± (1.5 % + 0.03 %)
	3000 A		10 A	± (1 % + 0.02 %)
6000 A iFlex	600 A		1 A	± (1.5 % + 0.03 %)
	6000 A		10 A	± (1.5 % + 0.03 %)
i40s-EL 40 A	4 A		1 mA	± (0.7 % + 0.02 %)
	40 A		10 mA	± (0.7 % + 0.02 %)
Frequency	42.5 Hz to 69 Hz		0.01 Hz	± (0.1 %)
Voltage Min/Max	1000 V		0.1 V	± (1 % + 0.1 %)
Current Min/Max	defined by accessory		defined by accessory	± (5 % + 0.2 %)
THD on voltage	1000 %		0.1 %	± (2.5 % ± 0.05 %)
THD on current	1000 %		0.1 %	± (2.5 % ± 0.05 %)

Power/Energy

Parameter	Direct Input ¹	iFlex1500-12	iFlex3000-24	iFlex6000-36	i40s-EL
Parameter	Clamp: 50 mV/500 mV	150A/1500A	300A/3000A	600/6000A	4A/40A
	Rogowski: 15 mV/150 mV				
Power range W, VA, var	Clamp: 50 W/500 W	150 kW/1.5 MW	300 kW/3 MW	600 kW/6 MW	4 kW/40 kW
	Rogowski: 15 W/150 W				
Max. resolution W, VA, var	0.1 W	0.01 kW/0.10 kW	1 kW/10 kW	1 kW/10 kW	1 W/10 W
Max. resolution PF, DPFFund.	0.01 2.5 % of measured apparent power				
Phase (voltage to current) of range ¹	± 0.2°	± 0.28°			± 1°

¹ Only for calibration laboratories

iFlex probe specifications

Measuring range	
iFlex 1500-12	1 A ac to 150 A ac / 10 A ac to 1500 A ac
iFlex 3000-24	3 A ac to 300 A ac / 30 A ac to 3000 A ac
iFlex 6000-36	6 A ac to 600 A ac / 60 A ac to 6000 A ac
Nondestructive current	100 kA (50/60 Hz)
Intrinsic error at reference condition ¹	± 0.7 % of reading
Accuracy 3540 FC + iFlex	
iFlex 1500-12 and iFlex 3000-24	± (1 % of reading + 0.02 % of range)
iFlex 6000-36	± (1.5 % of reading + 0.03 % of range)
Temperature Coefficient over operating temperature range	
iFlex 1500-12 and iFlex 3000-24	0.05 % of reading / °C (0.09 % of reading / °F)
iFlex 6000-36	0.1 % of reading / °C (0.18 % of reading / °F)

Positioning error with position of conductor in the probe window

	iFlex1500-12, iFlex3000-24	iFlex6000-36
Probe Window A	± (1 % of reading + 0.02 % of range)	± (1.5 % of reading + 0.03 % of range)
Probe Window B	± (1.5 % of reading + 0.02 % of range)	± (2.0 % of reading + 0.03 % of range)
Probe Window C	± (2.5 % of reading + 0.02 % of range)	± (4 % of reading + 0.03 % of range)

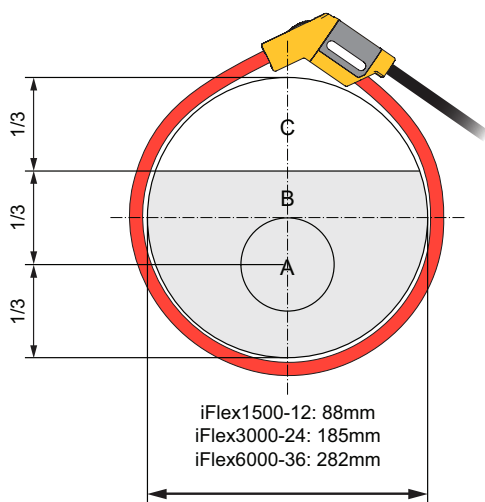


Figure. iFlex Probe Window

iFlex probe specifications

External magnetic field rejection in reference to external current (with cable >100 mm from the head-coupling and r-coil)	40 dB
Phase shift	< ± 0.5°

Transducer length

iFlex 1500-12	305 mm (12 in)
iFlex 3000-24	610 mm (24 in)
iFlex 6000-36	915 mm (36 in)
Transducer cable diameter	7.5 mm (0.3 in)
Minimum bending radius	38 mm (1.5 in)

Output cable length

iFlex 1500-12	2 m (6.6 ft)
iFlex 3000-24 and iFlex 6000-36	3 m (9.8 ft)

Weight

iFlex 1500-12	115 g (4 oz)
iFlex 3000-24	170 g (6 oz)
iFlex 6000-36	190 g (7 oz)

Material

Transducer cable	TPR
Coupling	POM + ABS/PC
Output cable	TPR/PVC
Operating temperature	-20 °C to +70 °C (-4 °F to 158 °F) temperature of conductor under test shall not exceed 80 °C (176 °F)
Storage temperature	-40 °C to +80 °C (-40 °F to 176 °F)
Operating relative humidity	15 % to 85 % noncondensing
IP Rating	IEC 60529:IP50
Operating altitude	2000 m (6,500 ft) up to 4000 m (13,000 ft) derate to 1000 V CAT II / 600 V CAT III / 300 V CAT IV
Storage altitude	12 km (40,000 ft)
Warranty	1 year

Bandwidth	10 Hz to 23.5 kHz (probe only)
Frequency derating	I x f ≤ 385 kA Hz
Working voltage	1000 V CAT III, 600 V CAT IV

¹Reference condition:

- Environmental: 23 °C ± 5 °C, no external electrical/magnetic field, RH 65 %
- Primary conductor in center position



Preventive maintenance simplified. Rework eliminated.

Save time and improve the reliability of your maintenance data by wirelessly syncing measurements using the Fluke Connect® system.

- Eliminate data-entry errors by saving measurements directly from the tool and associating them with the work order, report or asset record.
- Maximize uptime and make confident maintenance decisions with data you can trust and trace.
- Access baseline, historical and current measurements by asset.
- Move away from clipboards, notebooks and multiple spreadsheets with a wireless one-step measurement transfer.
- Share your measurement data using ShareLive™ video calls and emails.
- The 3540 FC is part of a growing system of connected test tools and equipment maintenance software. Visit the website to learn more about the Fluke Connect® system.

Find out more at flukeconnect.com



All trademarks are the property of their respective owners. WiFi or cellular service required to share data. Smartphone, wireless service and data plan not included with purchase. First 5 GB of storage is free. Phone support details can be viewed at fluke.com/phones.

Smart phone wireless service and data plan not included with purchase. Fluke Connect is not available in all countries.

Ordering information

FLUKE-3540 FC Three-Phase Power Monitor

Included

Instrument, power supply, voltage test leads, dolphin clips (4x), 1500A flexible current probe (3x), magnetic hanging kit, WiFi to USB adapter, and color coding set



Fluke. *Keeping your world up and running.®*

Fluke Corporation

PO Box 9090, Everett, WA 98206 U.S.A.

Fluke Europe B.V.

PO Box 1186, 5602 BD Eindhoven, The Netherlands

For more information call:

In the U.S.A. (800) 443-5853 or Fax (425) 446-5116
 In Europe/M-East/Africa +31 (0) 40 2675 200 or Fax +31 (0) 40 2675 222
 In Canada (800)-36-FLUKE or Fax (905) 890-6866
 From other countries +1 (425) 446-5500 or Fax +1 (425) 446-5116
 Web access: <http://www.fluke.com>

©2016-2017 Fluke Corporation. Specifications subject to change without notice. 9/2017 6008083d-en

Modification of this document is not permitted without written permission from Fluke Corporation.