



MEAS | MEAS FX29

TE Internal #: 20009605-17

TE Internal Description: FX29K0-040B-0025-L

Compact Compression Load Cell

[View on TE.com >](#)

Sensors > Force Sensors > Force Sensor Elements > Compact Compression Load Cell



Force Sensor Type: OEM Compression Load Cells

Full Scale Range: 25 lbf

Operating Temperature Range: 0 – 50 °C [32 – 122 °F]

Output Signal Type: 14 Bit I2C

[All Compact Compression Load Cell \(46\)](#)

Features

Product Type Features

Force Sensor Type	OEM Compression Load Cells
-------------------	----------------------------

Electrical Characteristics

Supply Voltage Range	3 VDC
Full Scale Range	25 lbf

Usage Conditions

Accuracy	±1 % of FS
Operating Temperature Range	0 – 50 °C[32 – 122 °F]

Operation/Application

Output Signal Type	14 Bit I2C
--------------------	------------

Other

Zero Shift in CTR	±.05 % of FS
Sensitivity Shift	±.05 % of FS
Force Direction	Compression

Product Compliance

[For compliance documentation, visit the product page on TE.com>](#)

EU RoHS Directive 2011/65/EU	Not Compliant
------------------------------	---------------

EU ELV Directive 2000/53/EC	Compliant
China RoHS 2 Directive MIIT Order No 32, 2016	Restricted Materials Above Threshold
EU REACH Regulation (EC) No. 1907/2006	Current ECHA Candidate List: JUNE 2024 (241) Candidate List Declared Against: JAN 2024 (240) Does not contain REACH SVHC
Halogen Content	Not Yet Reviewed for halogen content
Solder Process Capability	Not reviewed for solder process capability

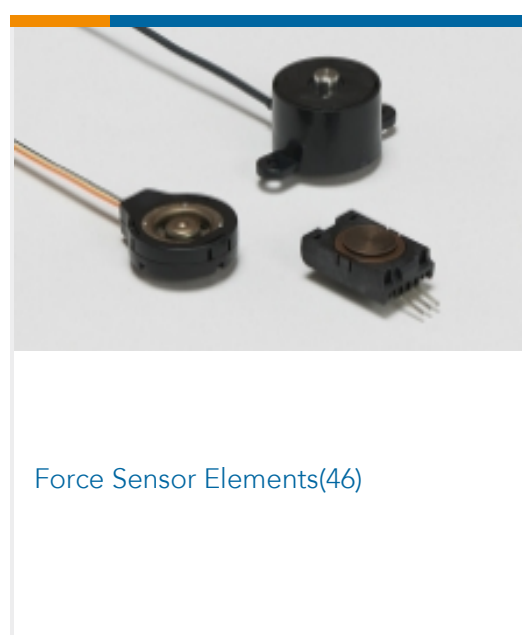
Product Compliance Disclaimer

This information is provided based on reasonable inquiry of our suppliers and represents our current actual knowledge based on the information they provided. This information is subject to change. The part numbers that TE has identified as EU RoHS compliant have a maximum concentration of 0.1% by weight in homogenous materials for lead, hexavalent chromium, mercury, PBB, PBDE, DBP, BBP, DEHP, DIBP, and 0.01% for cadmium, or qualify for an exemption to these limits as defined in the Annexes of Directive 2011/65/EU (RoHS2). Finished electrical and electronic equipment products will be CE marked as required by Directive 2011/65/EU. Components may not be CE marked. Additionally, the part numbers that TE has identified as EU ELV compliant have a maximum concentration of 0.1% by weight in homogenous materials for lead, hexavalent chromium, and mercury, and 0.01% for cadmium, or qualify for an exemption to these limits as defined in the Annexes of Directive 2000/53/EC (ELV). Regarding the REACH Regulation, the information TE provides on SVHC in articles for this part number is based on the latest European Chemicals Agency (ECHA) 'Guidance on requirements for substances in articles' posted at this URL: <https://echa.europa.eu/guidance-documents/guidance-on-reach>

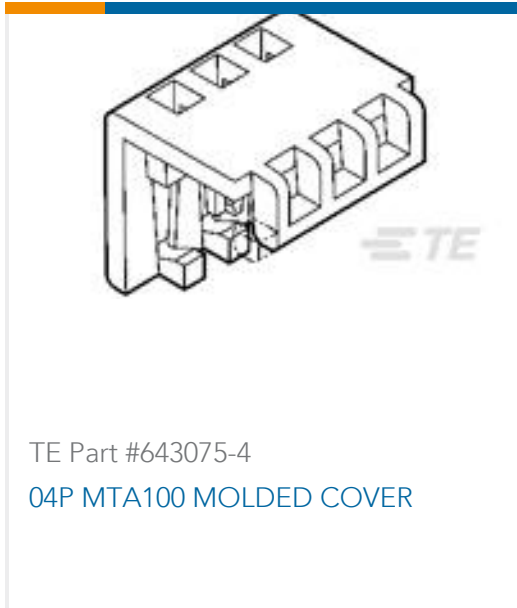
Compatible Parts



Also in the Series | MEAS FX29



Customers Also Bought



Documents

Datasheets & Catalog Pages

FX29 COMPRESSION LOAD CELL

English