

1

2

3

4

A

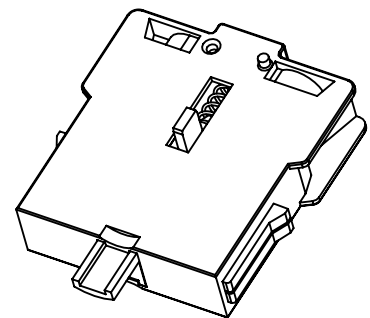
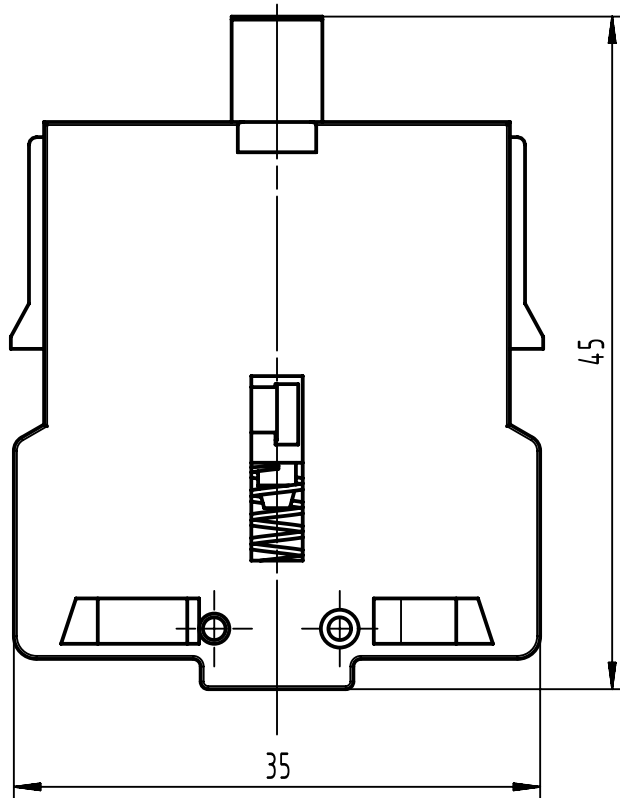
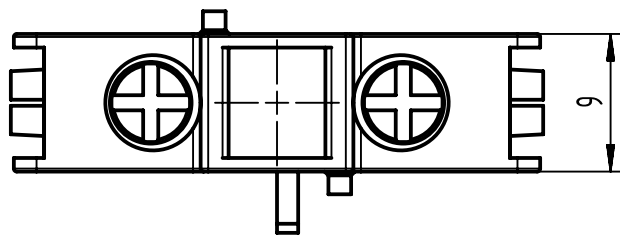
B

C

D

E

F



All Dimensions in mm
Original Size DIN A4

Scale
2:1

Free size tol.

Ref.

Sub.



All rights reserved
Department EL PD

Created by
LUPU

Inspected by
ZWAHR

Standardisation

Date
2023-10-06

State
Final Release

HARTING
D-32339 Espelkamp

Title
Contact Block 1N0

Doc-Key / ECM-Nr.
101059140/UGD/000/B
500000254514

Type
TB

Number
09454530201

Rev.
B

Page
1/1