

Features

- Opto Isolation
4000VAC
- Zero Volt Switching
or Random Switching
(see table)
- TTL/CMOS
Compatible (Sink
mode)
- Integrated Snubber
- LED Status Indication
- Reverse Voltage
Protection for DC/AC
Types
- Output: NO/NC
Configuration
- Terminals are
polarised to prevent
reverse connection
- Safety cover IP20
protection

RS PRO Three-Phase Solid-State Relays

RS Stock No.: See table below



RS Professionally Approved Products bring to you professional quality parts across all product categories. Our product range has been tested by engineers and provides a comparable quality to the leading brands without paying a premium price.

Product Description

The panel mount relays are widely used in industrial switching applications such as control of heaters, motors, solenoid, lighting, and microcontroller-based systems. SSR switching is preferred due to high reliability and long life and in electrically harsh environment.

Ratings are offered starting from 10 Amps, 50 Amps, 90 Amp and 125 Amp for 480-volts and 600-volts applications.

General Specifications

Mounting	Panel Mount
Dimensions, mm	105mm x 73.5mm x 37mm
Weight	See table on page 4

Electrical Specifications

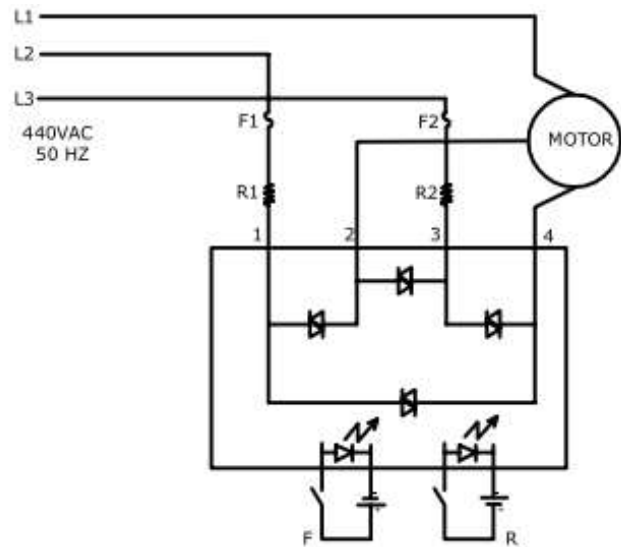
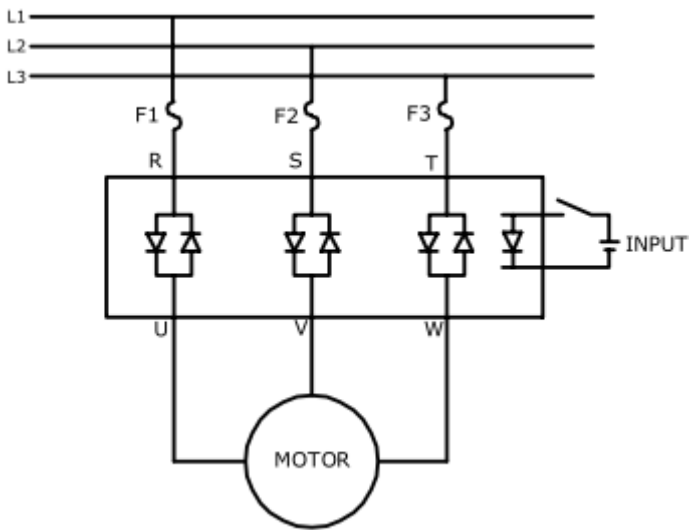
Control Voltage Range	See table on page 4
Control Current Range	See table on page 4
Pick-up Voltage	See table on page 4
Drop-out Voltage	See table on page 4
Input Resistance	See table on page 4
RMS on state Current	See table on page 4
Rep Peak Off state Voltage	800-1200 Vdrm
Peak one cycle surge Current (Non-Rep)	See table on page 4
On state Voltage Drop	1.6Vac
Off state Leakage current	5mA
Zero T-On Voltage	25Vpk
Critical Rate of Rise Off state Voltage	See table on page 4
Holding Current	See table on page 4
Fuse Current	See table on page 4

Thermal Resistance	See table on page 4
Turn-On delay	10ms
Turn-Off delay	10ms
Frequency Range	47-63 Hz
Operating Temp	-30 ° to 80 ° OC

Approvals

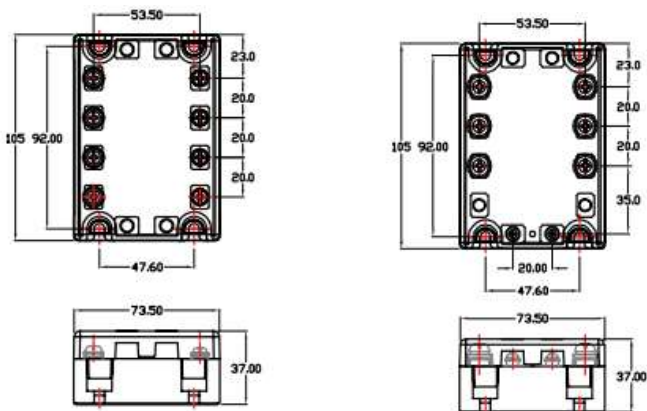
Declarations	UL, CE, UKCA
Standards Met	IEC 62314 & IEC 62368-1

Schematic: 012 J/K

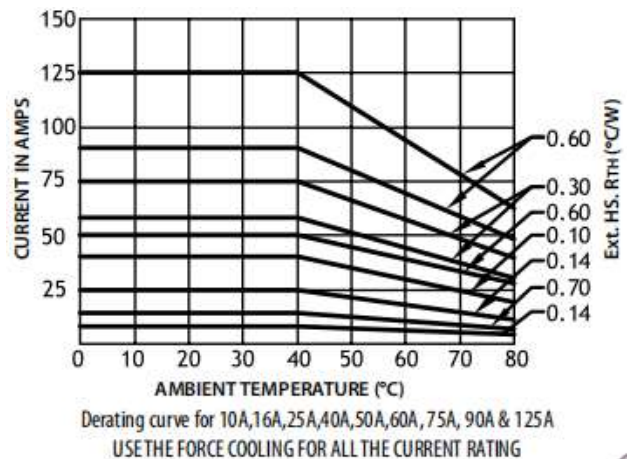


Mechanical Drawing :012 RJ

Weight : 400 grams



Derating Curve :



Similar Products

Stock No.	Brand	Product Description	RMS on-state current	Control Voltage range	Control Current range	Pick-up Voltage	Drop-out voltage	Holding Current	Input Res K Ω	Peak one cycle surge Current (Non-Rep)	Critical Rate of Rise Off state Voltage	Fuse Current	Thermal Resistance
2537306	RS PRO	Solid State Relay, 3-Phase 480Vac (Random Turn-on)	10Amp	4-32Vdc	50 mA	4.0 Vdc	1.0 Vdc	30 mA	Current Regulator	83 ITSM	200 V/ μ s	41 A ² S	3.0 °C/W
2537301	RS PRO	Solid State Relay, 3-Phase 480Vac (Zero Turn-on)	10Amp	4-32Vdc	50 mA	4.0 Vdc	1.0 Vdc	30 mA	Current Regulator	83 ITSM	200 V/ μ s	41 A ² S	3.0 °C/W
2537307	RS PRO	Solid State Relay, 3-Phase 480Vac (Random Turn-on)	25Amp	4-32Vdc	50 mA	4.0 Vdc	1.0 Vdc	100 mA	Current Regulator	300 ITSM	500 V/ μ s	450 A ² S	0.6 °C/W
2537303	RS PRO	Solid State Relay, 3-Phase 480Vac (Zero Turn-on)	25Amp	4-32Vdc	50 mA	4.0 Vdc	1.0 Vdc	30 mA	Current Regulator	83 ITSM	200 V/ μ s	41 A ² S	3.0 °C/W
2537308	RS PRO	Solid State Relay, 3-Phase 480Vac (Random Turn-on)	50Amp	3-32Vdc	50mA	4 Vdc	1 Vdc	150 mA	0.65 K Ω	520 ITSM	1000 V/ μ s	1350 A ² S	1.0 °C/W
2537304	RS PRO	Solid State Relay, 3-Phase 480Vac (Zero Turn-on)	50Amp	3-32Vdc	50mA	4 Vdc	1 Vdc	150 mA	0.65 K Ω	520 ITSM	1000 V/ μ s	1350 A ² S	1.0 °C/W
2537309	RS PRO	Solid State Relay, 3-Phase 600Vac (Random Turn-on)	50Amp	3-32Vdc	80mA	3 Vdc	1 Vdc	150 mA	Current Regulator	500 ITSM	1000 V/ μ s	1250 A ² S	0.7 °C/W
2537305	RS PRO	Solid State Relay, 3-Phase 600Vac (Zero Turn-on)	50Amp	3-32Vdc	80mA	3 Vdc	1 Vdc	150 mA	Current Regulator	500 ITSM	1000 V/ μ s	1250 A ² S	0.7 °C/W
2537299	RS PRO	Solid State Relay, 3-Phase 480Vac (Random Turn-on)	10Amp	3-32Vdc	80mA	3 Vdc	1 Vdc	50 mA	0.4 K Ω	100 ITSM	400 V/ μ s	55 A ² S	2.4 °C/W
2537300	RS PRO	Solid State Relay, 3-Phase 480Vac (Random Turn-on)	40Amp	3-32Vdc	80mA	3 vdc	1 Vdc	80 mA	0.4 K Ω	400 ITSM	500 V/ μ s	880 A ² S	0.6 °C/W