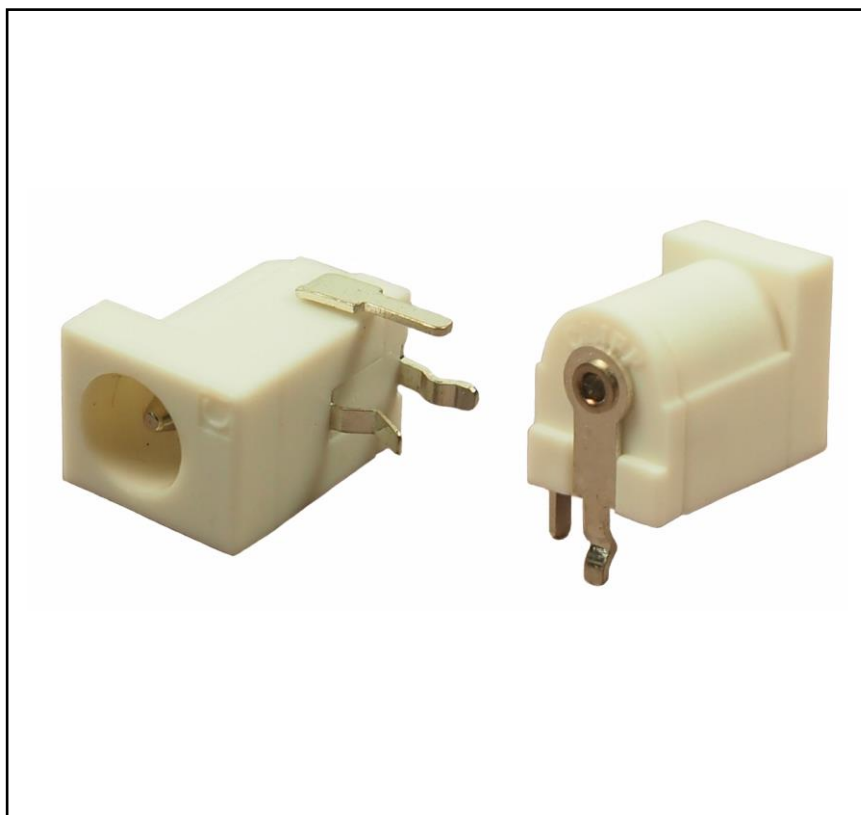


FEATURES

- Rated 12V, 5A
- PC Mounting
- Dual Connector. Accepts 2.1mm and 2.5mm plugs
- Tin Plated Contacts
- White colour

RS PRO Right Angle Dual DC Socket Rated at 5A, 12V, PCB Mount, length 14.5mm, Tin

RS Stock No.: 143-8916



RS Professionally Approved Products bring to you professional quality parts across all product categories. Our product range has been tested by engineers and provides a comparable quality to the leading brands without paying a premium price.

Product Description

RS PRO right angled DC power socket is designed to couple with push fit DC power plugs. This is a dual connector for use with 2.1 or 2.5mm plugs. Body is made from PBT for superior temperature characteristics.

Also available in a solder tag version P/No. 143-8915

General Specifications

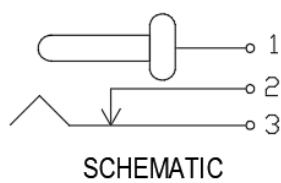
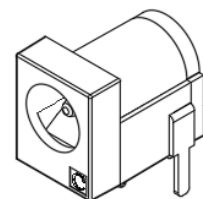
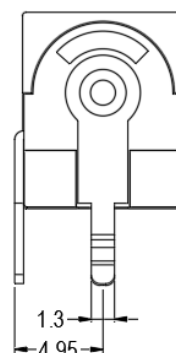
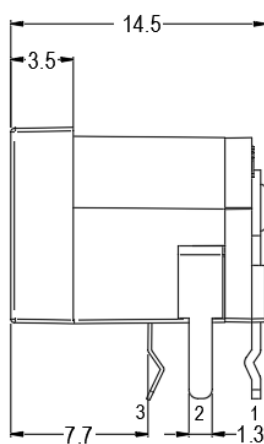
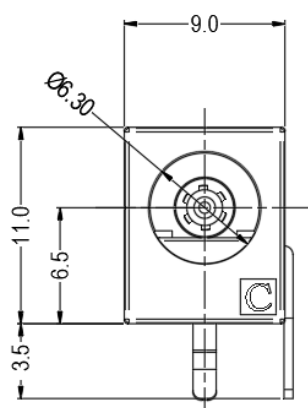
DC Power Connector Type	DC Socket
Body Orientation	Right Angle
Body Material	PBT
Contact Material	Brass
Contact Plating	Tin Plated
Application	Portable computers, electronic instruments, signal processors and power supplies

Electrical Specifications

Current Rating	5A
Voltage Rating	12V DC
Life	Min 5000 Insertions
Insulation Resistance	>100M Ω @ 500V DC.

Mechanical Specifications

Length	14.5mm
Width	9mm
Pin Diameter	Accepts 2.1 or 2.5mm plugs
Mounting Type	PC Mounting



PC LAYOUT
(COMPONENT SIDE
-SOCKET OMITTED
FOR CLARITY)

