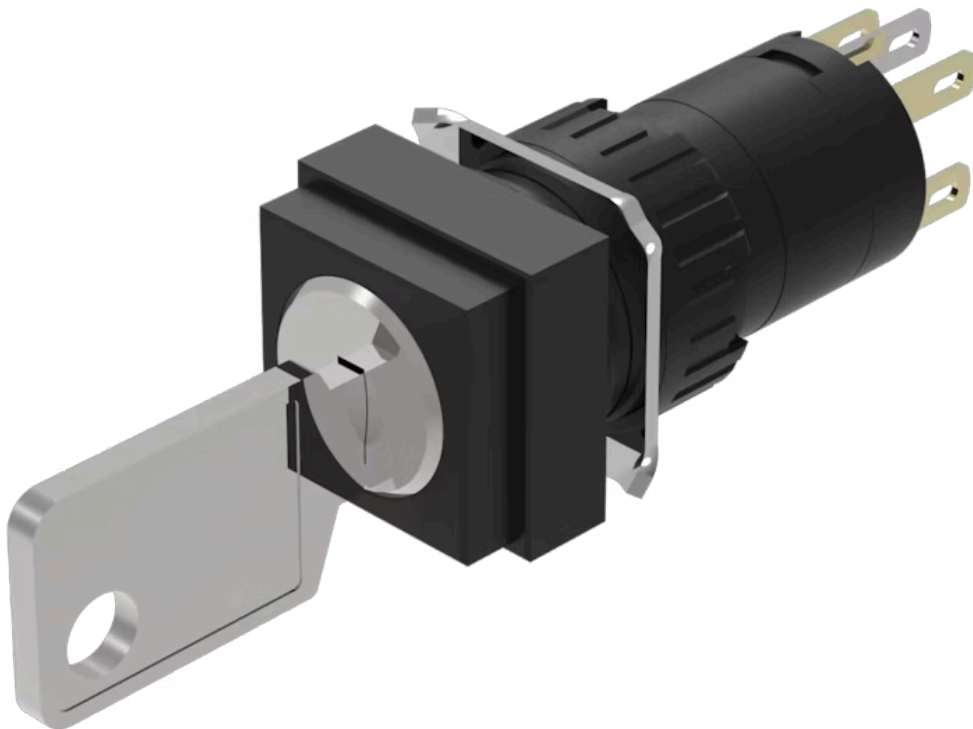


Actuator

51-
255.022D



<https://eao.com/p/51-255.022D>

Your product:



51-255.022D Actuator

FRONT

Front dimension: 18 mm x 18 mm

MOUNTING

Design: raised

ELECTRICAL CHARACTERISTICS

Contacts: 1 NC / 1 NO

Electric strength: 2500 VAC, 50 Hz, 1 min. between all terminals and earth, according to IEC 61058-1, part 15

Rated Operational Voltage Ue: 250 VAC/DC according to EN IEC 60947-1

Thermal current Ith: 5 A, according to EN / IEC 60947-5-1
The maximum current in continuous operation and at ambient temperature not exceeding the quoted maximum values.

Switching voltage and switching current:
250 VAC, 5 A (ohmic)
250 VAC, 2 A (inductive, $\cos(\phi) = 0.7$)
125 VAC, 3 A (inductive, $\cos(\phi) = 0.7$)
220 VDC, 0.1 A (inductive, L:R = 30 ms)
110 VDC, 0.2 A (inductive, L:R = 30 ms)
60 VDC, 0.7 A (inductive, L:R = 30 ms)
24 VDC, 2 A (inductive, L:R = 30 ms)

Standards: According to EN/IEC 61058-1

Protection class: II

MECHANICAL CHARACTERISTIC

Wire cross section: Snap-action switching element with axial soldering terminals, which can also be used as plug-in terminals 2.8 x 0.5mm
Max. wire diameter 2 wires of 1 mm
Max. wire cross-section of stranded cable 2 of 0.75 mm² or 1 x 1.0 mm²

Tightening torque: Fixing nut max. 0.5 Nm

Switching angle:	90° right
Switching system:	Self-cleaning, double-break snap action switching system, 1 normally closed and 1 normally open contact per element.
Terminal:	Plug-in terminal, 2.8 x 0.5 mm
Mechanical lifetime:	50 000 cycles of operation
Switching system:	Snap-action switching element
Switching positions:	2 positions
Weight:	0.026 kg
Switching action:	Rest (a) - Maintained
Contact material:	Gold

AMBIENT CONDITION

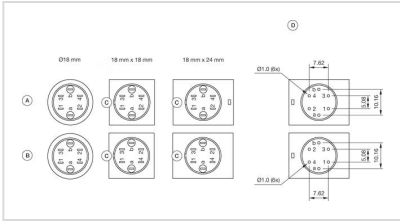
Vibration resistance:	10 g at 10 Hz...1500 Hz, amplitude 0.75 mm (Sinusoidal), according to DIN EN 60512-4-4, DIN EN 60068-2-6
IP front protection:	IP65, according to DIN EN 60529
Climate resistance:	Standard condition, as per DIN EN 60068-2-30 Changing condition, as per DIN EN 60068-2-14
Storage temperature:	- 40 °C ... + 85 °C
Shock resistance:	15 g for 11 ms, as per DIN / EN 60512-4-3, DIN / EN 60068-2-27 (Single impacts, semi-sinusoidal)
Operating temperature:	- 25 °C ... + 55 °C

CERTIFICATE

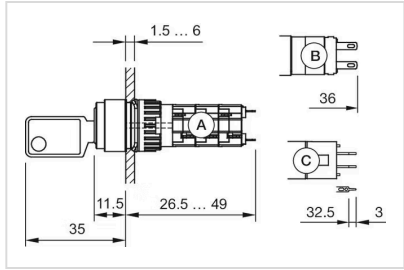
Conformities:	CE, UKCA, 2011 / 65 / EC (RoHS), 2014 / 30 / EU (EMC), 2014 / 35 / EU (LVD)
Approbations:	CB (IEC 61058-1), CQC, CSA, DNV, ENEC (EN 61058-1), UL

OTHER

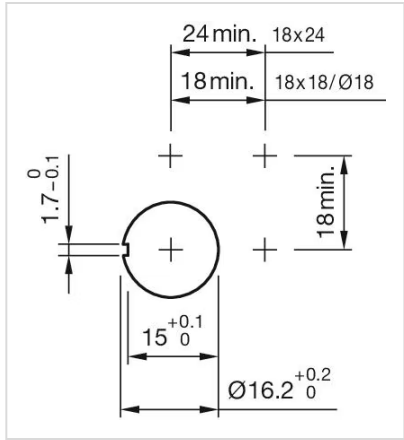
Housing colour:	Black
Hints:	Standard lock: DOM 311
Short Description:	Actuator, 18 mm x 18 mm, 1 NC / 1 NO, Rest (a) - Maintained, Plug-in terminal, 2.8 x 0.5 mm, IP65, according to DIN EN 60529
max. number of switching elements:	1
Component layouts:	



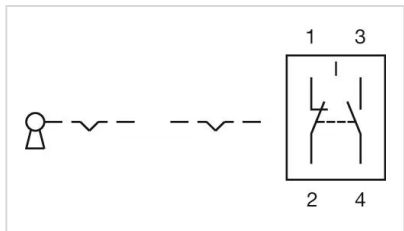
Dimension drawings:



Mounting cut-outs:



Wiring diagrams:



Switching positions:

