

Actuator

45-
290K.2000.116



<https://eao.com/p/45-290K.2000.116>

Your product:



45-290K.2000.116 Actuator

FRONT

Front dimension:	Ø 29,5 mm
Front bezel colour:	Silver
Front bezel material:	Metal

MOUNTING

Design:	raised
----------------	--------

MECHANICAL CHARACTERISTIC

Weight:	0.076 kg
Switching action:	Rest (a) - Momentary
Switching positions:	2 positions
Switching angle:	45° right
Mechanical lifetime:	1 Mio. cycles of operation
Operating frequency:	1 800/h

AMBIENT CONDITION

Vibration resistance:	According to IEC 60068-2-6: 10 ... 500 Hz: 5 g
IP front protection:	IP66, IP67, IP69K
Operating temperature:	- 25 °C ... + 70 °C
Storage temperature:	- 40 °C ... + 80 °C
Climate resistance:	During operation according to IEC 60721: 3K6, 3C3, 3S2, 3M6
Shock resistance:	According to IEC 60068-2-27: Sinusoidal half-wave 50 g / 11 ms

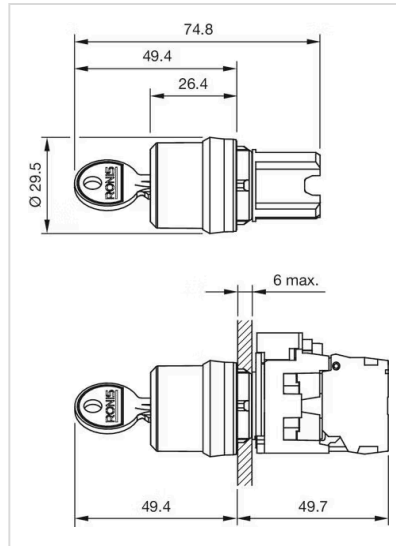
OTHER

Housing material: Metal

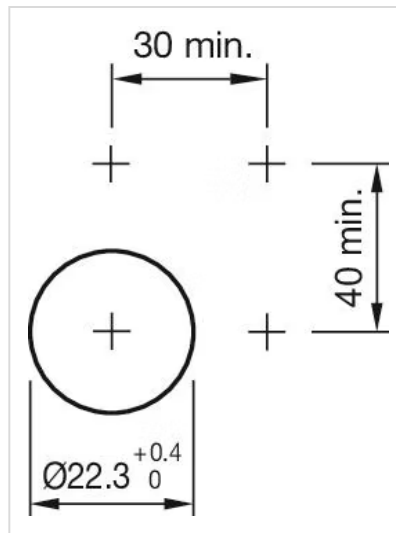
Hints: The standard lock: RONIS, T254

Short Description: Actuator, Ø 29,5 mm, Silver, Metal, Rest (a) - Momentary, IP66, IP67, IP69K

Dimension drawings:



Mounting cut-outs:



Wiring diagrams:



Switching positions:

