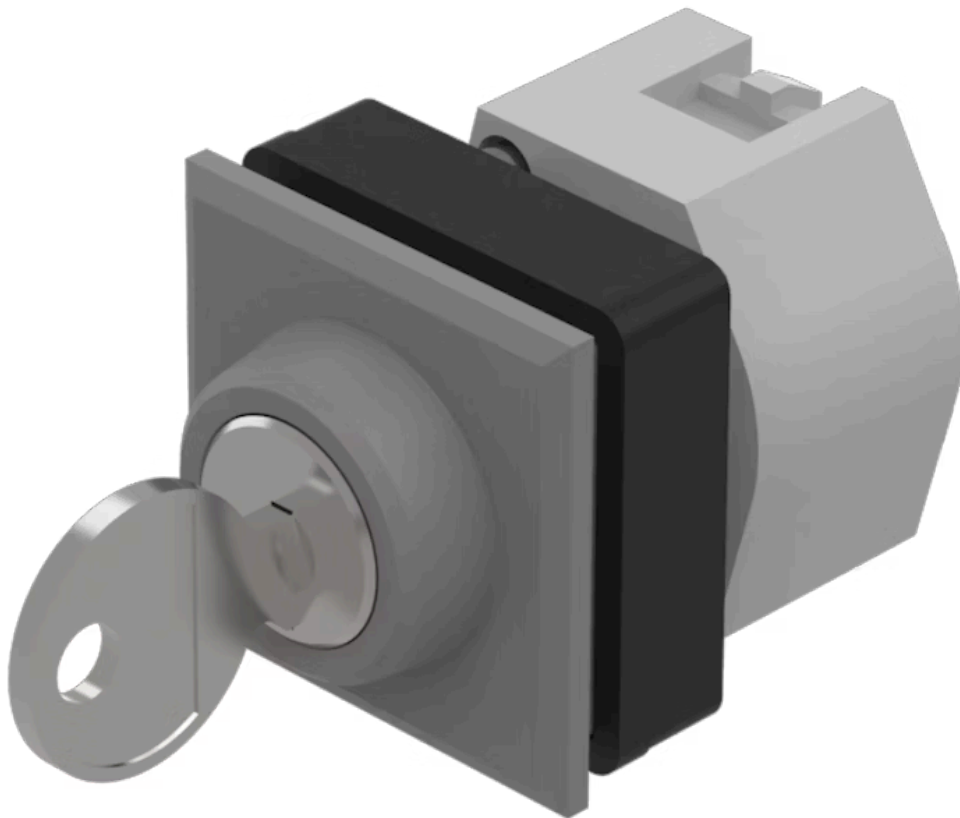


# Actuator

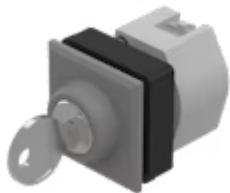
704.341.008



<https://eao.com/p/704.341.008>

Your product:

---



## 704.341.008 Actuator

### FRONT

<b>Front bezel colour:</b>	Silver
<b>Front dimension:</b>	35 mm x 35 mm
<b>Front bezel material:</b>	Plastic

### MOUNTING

<b>Design:</b>	flush
<b>Mounting cut-out:</b>	30 mm x 30 mm

### ELECTRICAL CHARACTERISTICS

<b>Standards:</b>	The switches comply with the "Standards for low-voltage switching devices" DIN EN 60947-1
-------------------	---

### MECHANICAL CHARACTERISTIC

<b>Mechanical lifetime:</b>	≤50 000 cycles of operation
<b>Switching angle:</b>	90° right / -45° ... +45°
<b>Switching positions:</b>	2 positions
<b>Weight:</b>	0.099 kg
<b>Switching action:</b>	Rest (a) - Maintained

### AMBIENT CONDITION

**IP Protection:** IP65 front side

**Operating temperature:** - 40 °C ... + 55 °C

**Storage temperature:** - 40 °C ... + 85 °C

**OTHER**

**Short Description:** Actuator, 30 mm x 30 mm, 35 mm x 35 mm, Silver, Plastic, Rest (a) - Maintained

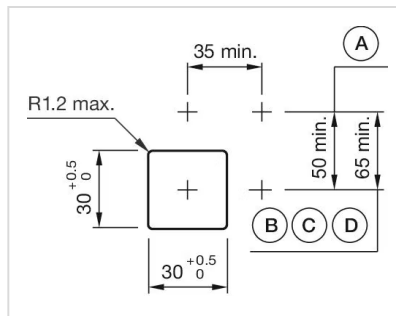
**max. number of switching elements:** 3

**Hints:** The standard lock Ronis 251, Further lock numbers on request, Max. 3 switching elements can be clipped on

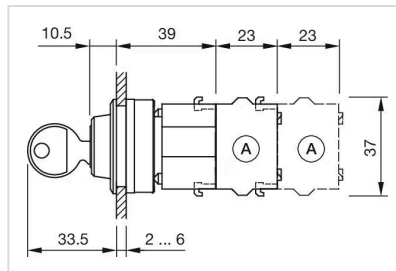
**Wiring diagrams:**



**Mounting cut-outs:**



**Dimension drawings:**



**Switching positions:**

