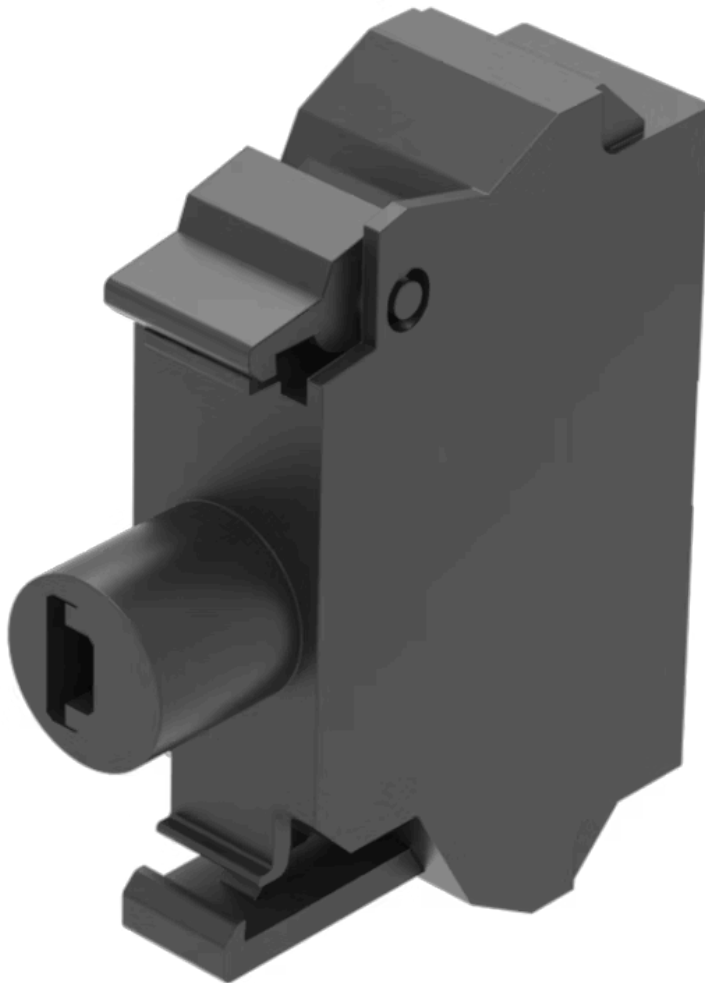


# Illumination element

45-320.1F42



<https://eao.com/p/45-320.1F42>

Your product:

---



## 45-320.1F42 Illumination element

### MOUNTING

**Component mounting type:** Front mounting

### OPERATING-/INDICATION PART

**Illumination colour:** Amber

### ELECTRICAL CHARACTERISTICS

**Operating voltage:** 24 - 240,00 V AC/DC

**Lumi. Intensity:** 450 - 1120 mcd

**Surge voltage resistance:** 4 kV

### MECHANICAL CHARACTERISTIC

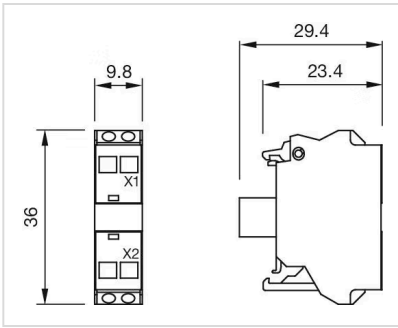
**Terminal:** Spring-type terminal

**Weight:** 0.01 kg

### OTHER

**Short Description:** Illumination element, Spring-type terminal, Amber, 24 - 240,00 V AC/DC, Front mounting

**Dimension drawings:**



**Wiring diagrams:**

