

Actuator

45-
2924.2000.113



<https://eao.com/p/45-2924.2000.113>

Your product:



45-2924.2000.113 Actuator

FRONT

Front dimension:	Ø 29,5 mm
Front bezel colour:	Silver
Front bezel material:	Metal

MOUNTING

Design:	raised
----------------	--------

MECHANICAL CHARACTERISTIC

Weight:	0.08 kg
Switching action:	Maintained - Rest (a) - Maintained
Switching positions:	3 positions
Switching angle:	45° left / 45° right / -45° ... +45°
Mechanical lifetime:	1 Mio. cycles of operation
Operating frequency:	1 800/h

AMBIENT CONDITION

IP front protection:	IP66, IP67, IP69K
Operating temperature:	- 25 °C ... + 70 °C
Storage temperature:	- 40 °C ... + 80 °C
Climate resistance:	During operation according to IEC 60721: 3K6, 3C3, 3S2, 3M6
Shock resistance:	According to IEC 60068-2-27: Sinusoidal half-wave 50 g / 11 ms
Vibration resistance:	According to IEC 60068-2-6: 10 ... 500 Hz: 5 g

OTHER

Housing material:

Metal

Short Description:

Actuator, Ø 29,5 mm, Silver, Metal, Maintained - Rest (a) - Maintained, IP66, IP67, IP69K

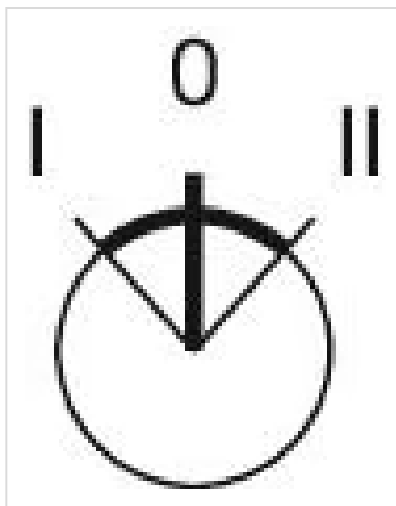
Hints:

The standard lock: RONIS, T254

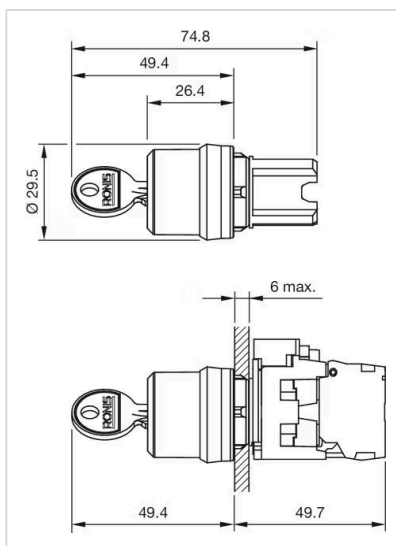
Wiring diagrams:



Switching positions:



Dimension drawings:



Mounting cut-outs:

