

# Illumination element

45-320.1G12



<https://eao.com/p/45-320.1G12>

Your product:



## 45-320.1G12 Illumination element

### MOUNTING

**Component mounting type:** Front mounting

### OPERATING-/INDICATION PART

**Illumination colour:** Yellow

### ELECTRICAL CHARACTERISTICS

**Operating voltage:** 24 - 240,00 V AC/DC

**Lumi. Intensity:** 900 - 1400 mcd

**Surge voltage resistance:** 4 kV

### MECHANICAL CHARACTERISTIC

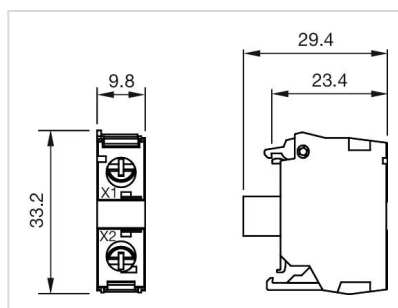
**Terminal:** Screw terminal

**Weight:** 0.011 kg

### OTHER

**Short Description:** Illumination element, Screw terminal, Yellow, 24 - 240,00 V AC/DC, Front mounting

**Dimension drawings:**



Wiring diagrams:

