

Illumination element

45-320.1F16



<https://eao.com/p/45-320.1F16>

Your product:



45-320.1F16 Illumination element

MOUNTING

Component mounting type: Front mounting

OPERATING-/INDICATION PART

Illumination colour: Amber

ELECTRICAL CHARACTERISTICS

Operating voltage: 24 V AC/DC

Lumi. Intensity: 450 - 1120 mcd

Surge voltage resistance: 4 kV

MECHANICAL CHARACTERISTIC

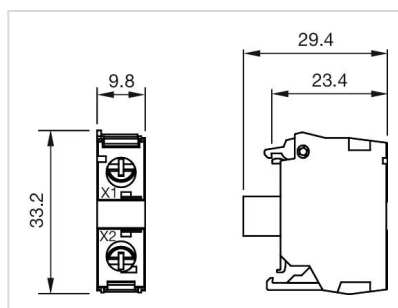
Terminal: Screw terminal

Weight: 0.009 kg

OTHER

Short Description: Illumination element, Screw terminal, Amber, 24 V AC/DC, Front mounting

Dimension drawings:



Wiring diagrams:

