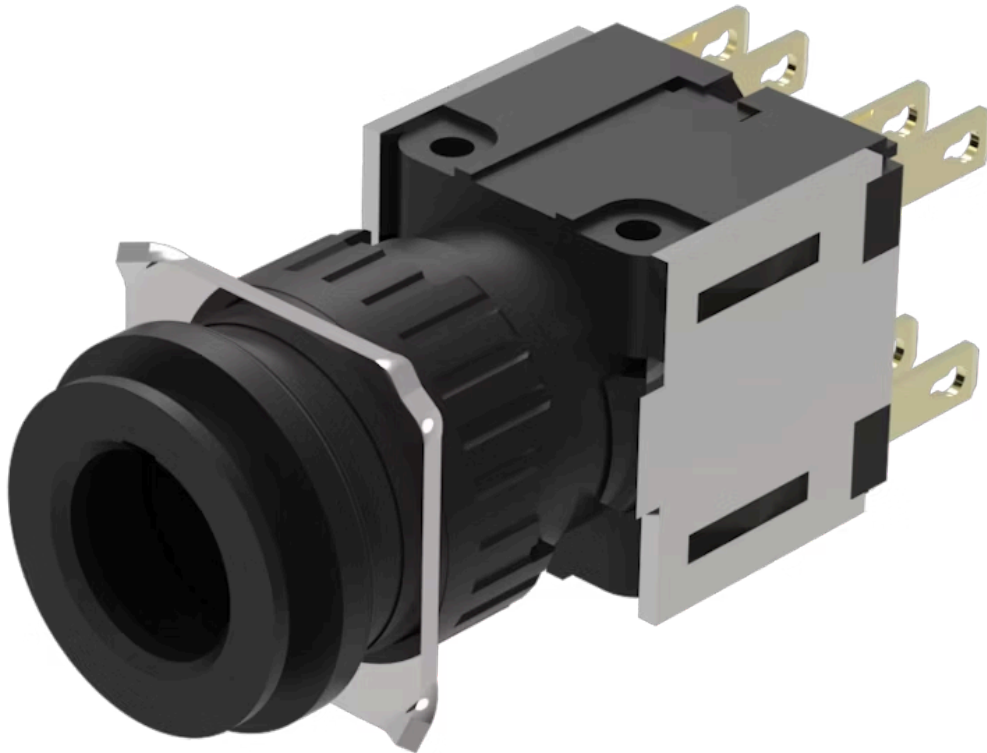


Actuator

52-
573.F22A



<https://eao.com/p/52-573.F22A>

Your product:



52-573.F22A Actuator

FRONT

Front dimension: Ø 18 mm

MOUNTING

Design: raised

OPERATING-/INDICATION PART

Lever material: plastic

Lever shape: short

ELECTRICAL CHARACTERISTICS

Electric strength: 2500 VAC, 50 Hz, 1 min. between all terminals and earth, according to IEC 61058-1, part 15

Protection class: II

Switching voltage and switching current: 250 VAC, 5 A ($\cos\phi$ 0.75)

Thermal current I_{th}: 5 A, according to EN / IEC 60947-5-1

Contacts: 2 NC / 2 NO

MECHANICAL CHARACTERISTIC

Switching system: Snap-action switching element

Terminal: Plug-in terminal, 2.8 x 0.5 mm

Contact material: Gold

Mechanical lifetime: 100 000 cycles of operation

Tightening torque:

Fixing nut max. 0.5 Nm

Weight: 0.015 kg

Switching angle: 42° left / 90° right

Switching system: Self-cleaning, double-break snap action switching system, 2 normally closed and 2 normally open contact per element.

Switching positions: 3 positions

Switching action: Momentary - Rest - Maintained

Wire cross section: Max. wire cross-section 2 wires with 1 mm
Max. wire cross-section of stranded cable 2 x 0.75 mm²

AMBIENT CONDITION

Storage temperature: - 40 °C ... + 85 °C

Operating temperature: - 25 °C ... + 55 °C

IP front protection: IP65, according to DIN EN 60529

CERTIFICATE

Approbations: CB (IEC 61058-1), CQC, CSA, DNV, ENEC (EN 61058-1), UL

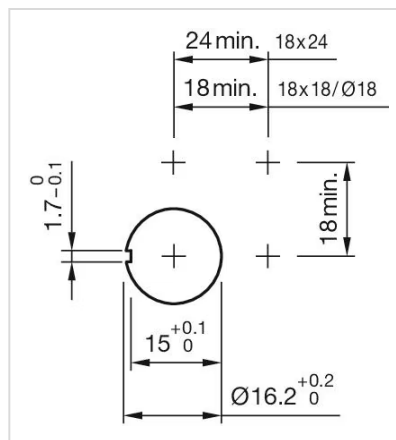
Conformities: CE, UKCA, 2011 / 65 / EC (RoHS), 2014 / 30 / EU (EMC), 2014 / 35 / EU (LVD)

OTHER

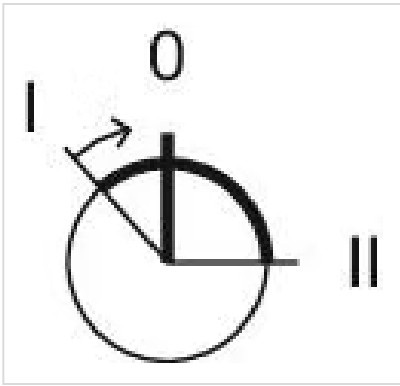
Short Description: Actuator, Ø 18 mm, optional illuminative, short, 2 NC / 2 NO, Momentary - Rest - Maintained, Plug-in terminal, 2.8 x 0.5 mm, IP65, according to DIN EN 60529

Hints: Illuminative

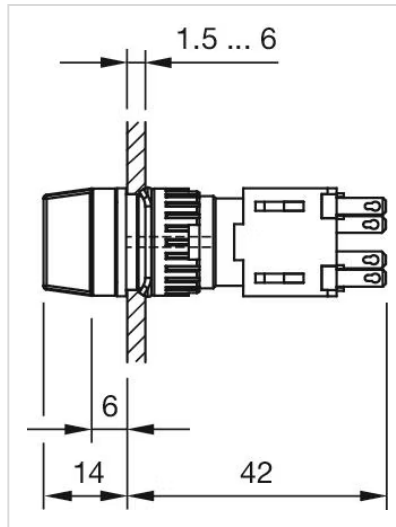
Mounting cut-outs:



Switching positions:



Dimension drawings:



Wiring diagrams:

