

# Actuator

45-  
2925.2000.111



<https://eao.com/p/45-2925.2000.111>

Your product:

---



## 45-2925.2000.111 Actuator

### FRONT

<b>Front dimension:</b>	Ø 29,5 mm
<b>Front bezel colour:</b>	Silver
<b>Front bezel material:</b>	Metal

### MOUNTING

<b>Design:</b>	raised
----------------	--------

### MECHANICAL CHARACTERISTIC

<b>Weight:</b>	0.084 kg
<b>Switching action:</b>	Rest - Maintained (a)
<b>Switching positions:</b>	2 positions
<b>Switching angle:</b>	90° right / -45° ... +45°
<b>Mechanical lifetime:</b>	1 Mio. cycles of operation
<b>Operating frequency:</b>	1 800/h

### AMBIENT CONDITION

<b>IP front protection:</b>	IP66, IP67, IP69K
<b>Operating temperature:</b>	- 25 °C ... + 70 °C
<b>Storage temperature:</b>	- 40 °C ... + 80 °C
<b>Climate resistance:</b>	During operation according to IEC 60721: 3K6, 3C3, 3S2, 3M6
<b>Vibration resistance:</b>	According to IEC 60068-2-6: 10 ... 500 Hz: 5 g
<b>Shock resistance:</b>	According to IEC 60068-2-27: Sinusoidal half-wave 50 g / 11 ms

**OTHER**

**Housing material:**

Metal

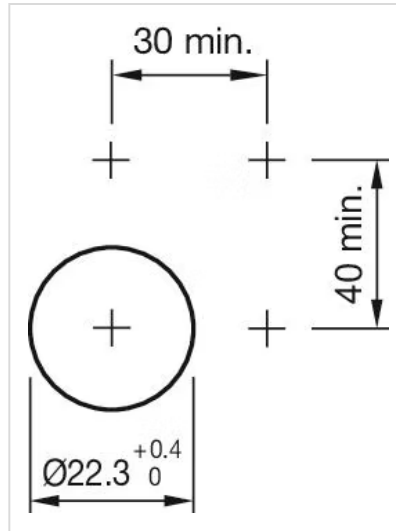
**Hints:**

The standard lock: RONIS, T254

**Short Description:**

Actuator, Ø 29,5 mm, Silver, Metal, Rest - Maintained (a), IP66, IP67, IP69K

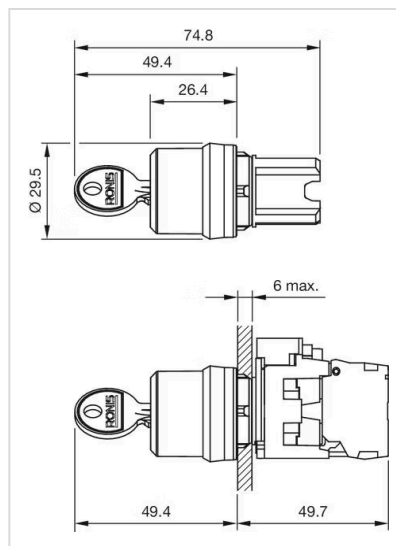
**Mounting cut-outs:**



**Wiring diagrams:**



**Dimension drawings:**



**Switching positions:**

