

Illumination element

45-320.1E12



<https://eao.com/p/45-320.1E12>

Your product:



45-320.1E12 Illumination element

MOUNTING

Component mounting type: Front mounting

OPERATING-/INDICATION PART

Illumination colour: Red

ELECTRICAL CHARACTERISTICS

Operating voltage: 24 - 240,00 V AC/DC

Lumi. Intensity: 450 - 1120 mcd

Surge voltage resistance: 4 kV

MECHANICAL CHARATERISTIC

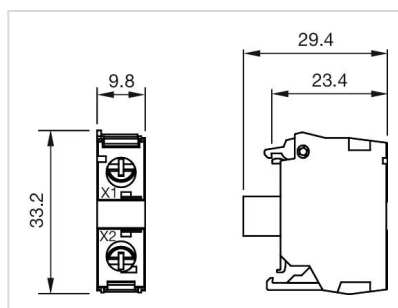
Terminal: Screw terminal

Weight: 0.011 kg

OTHER

Short Description: Illumination element, Screw terminal, Red, 24 - 240,00 V AC/DC, Front mounting

Dimension drawings:



Wiring diagrams:

