

Actuator

45-
2925.1000.111



<https://eao.com/p/45-2925.1000.111>

Your product:



45-2925.1000.111 Actuator

FRONT

Front dimension:	Ø 29,5 mm
Front bezel colour:	Black
Front bezel material:	Plastic

MOUNTING

Design:	raised
----------------	--------

MECHANICAL CHARACTERISTIC

Weight:	0.054 kg
Switching action:	Rest - Maintained (a)
Switching positions:	2 positions
Switching angle:	90° right / -45° ... +45°
Mechanical lifetime:	1 Mio. cycles of operation
Operating frequency:	1 800/h

AMBIENT CONDITION

IP front protection:	IP66, IP67, IP69K
Operating temperature:	- 25 °C ... + 70 °C
Storage temperature:	- 40 °C ... + 80 °C
Climate resistance:	During operation according to IEC 60721: 3K6, 3C3, 3S2, 3M6
Shock resistance:	According to IEC 60068-2-27: Sinusoidal half-wave 50 g / 11 ms
Vibration resistance:	According to IEC 60068-2-6: 10 ... 500 Hz: 5 g

OTHER

Housing material:

Plastic

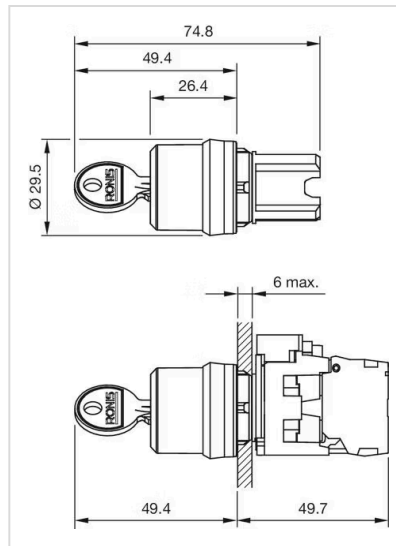
Hints:

The standard lock: RONIS, T254

Short Description:

Actuator, Ø 29,5 mm, Black, Plastic, Rest - Maintained (a), IP66, IP67, IP69K

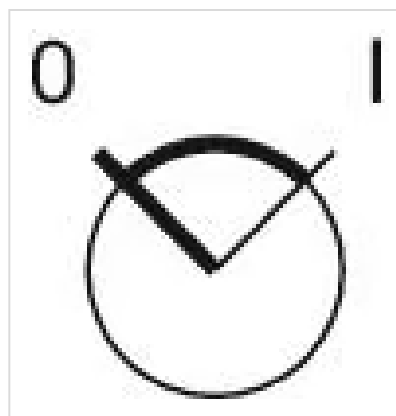
Dimension drawings:



Wiring diagrams:



Switching positions:



Mounting cut-outs:

