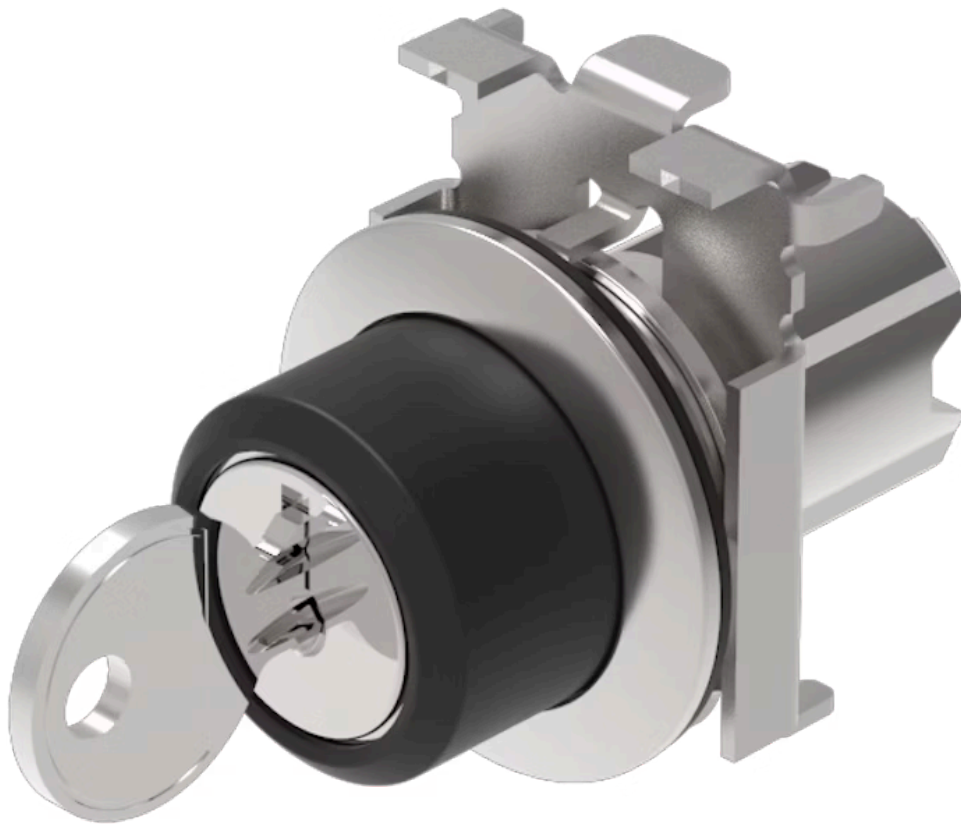


Actuator

45-
290J.4F00.116



<https://eao.com/p/45-290J.4F00.116>

Your product:



45-290J.4F00.116 Actuator

FRONT

Front dimension:	Ø 38 mm
Front bezel colour:	Sand grey
Front bezel material:	Metal

MOUNTING

Design:	flush
----------------	-------

MECHANICAL CHARACTERISTIC

Weight:	0.107 kg
Switching action:	Rest (a) - Momentary
Switching positions:	2 positions
Switching angle:	45° right
Release type:	Key release to unlock
Mechanical lifetime:	1 Mio. cycles of operation
Operating frequency:	1 800/h

AMBIENT CONDITION

Shock resistance:	According to IEC 60068-2-27: Sinusoidal half-wave 50 g / 11 ms
IP front protection:	IP66, IP67, IP69K
Operating temperature:	- 25 °C ... + 70 °C
Storage temperature:	- 40 °C ... + 80 °C
Climate resistance:	During operation according to IEC 60721: 3K6, 3C3, 3S2, 3M6

Vibration resistance:

According to IEC 60068-2-6: 10 ... 500 Hz: 5 g

OTHER

Short Description:

Actuator, Ø 38 mm, Sand grey, Metal, Rest (a) - Momentary, IP66, IP67, IP69K, Key release to unlock

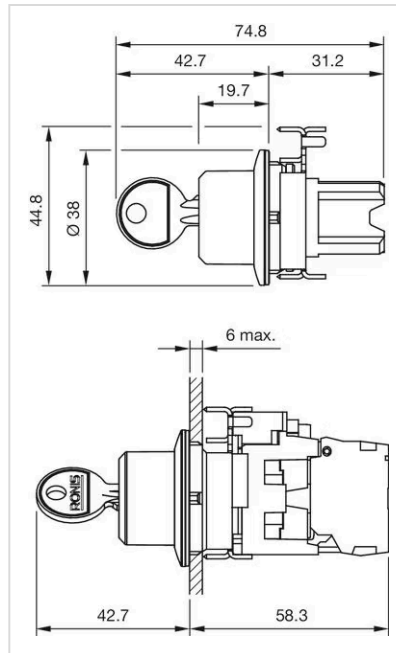
Housing material:

Metal

Hints:

The standard lock: RONIS, T254, Front panel thickness 1 ... 6 mm

Dimension drawings:



Wiring diagrams:



Switching positions:

