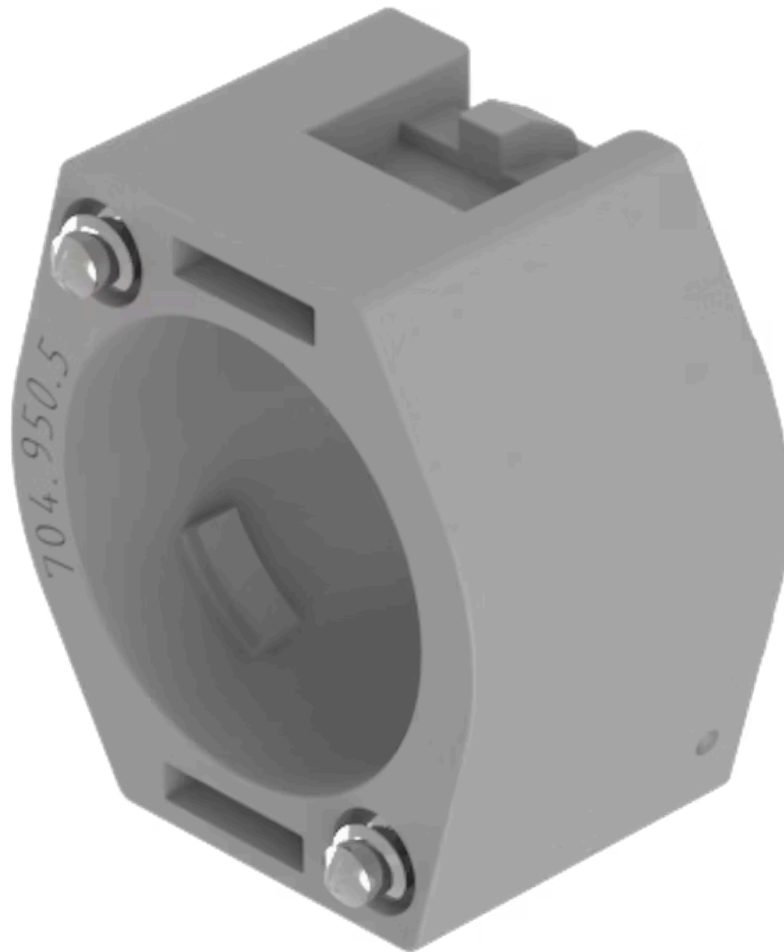


Bayonet flange

704.950.5



<https://eao.com/p/704.950.5>

Your product:



704.950.5 Bayonet flange

MECHANICAL CHARACTERISTIC

Tightening torque: Max. 0.40 ... 0.50 Nm

Weight: 0.015 kg

OTHER

Short Description: Bayonet flange, Plastic

Material: Plastic

Dimension drawings:

