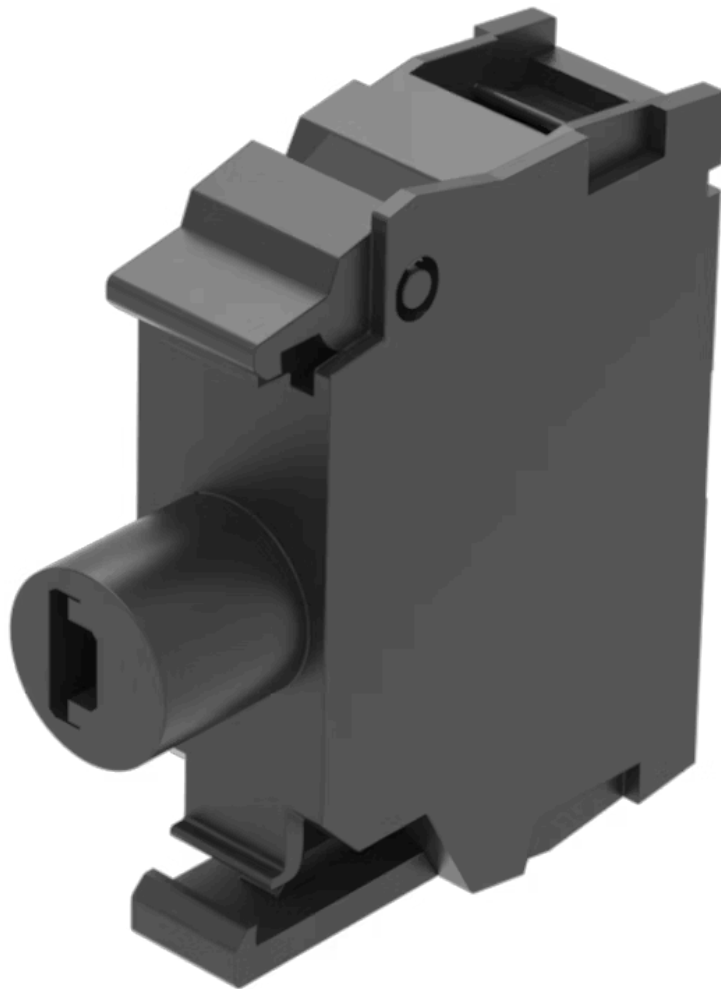


Illumination element

45-320.1E18



<https://eao.com/p/45-320.1E18>

Your product:



45-320.1E18 Illumination element

MOUNTING

Component mounting type: Front mounting

OPERATING-/INDICATION PART

Illumination colour: Red

ELECTRICAL CHARACTERISTICS

Operating voltage: 230 V AC

Lumi. Intensity: 450 - 1120 mcd

Surge voltage resistance: 4 kV

MECHANICAL CHARACTERISTIC

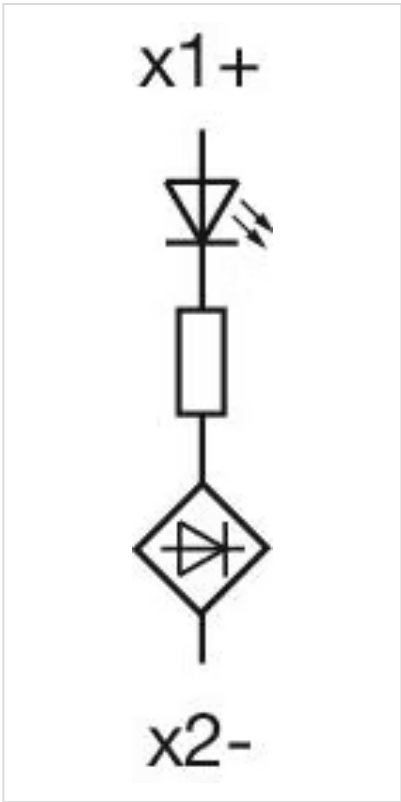
Terminal: Screw terminal

Weight: 0.01 kg

OTHER

Short Description: Illumination element, Screw terminal, Red, 230 V AC, Front mounting

Wiring diagrams:



Dimension drawings:

