

Product data sheet

Specifications



colour touch panel screen,
Harmony STO & STU, 3.5inch
wide

HMISTU655

Product availability: Stock - Normally stocked in distribution facility

Price*: 574.23 USD

Main

Range Of Product	Harmony STO & STU
Product Or Component Type	Touch panel screen
Software Designation	Vijeo Designer
Operating System	Harmony
Processor Name	CPU ARM9

Complementary

Display Size	3.5 inch
Display Type	QVGA TFT colour touchscreen
Display Colour	65536 colours
Display Resolution	320 x 240 pixels QVGA
Touch Panel	Analogue
Backlight Lifespan	50000 hours
Brightness	16 levels
Character Font	Chinese (simplified Chinese) Japanese (AN, Kanji) ASCII Korean Taiwanese (traditional Chinese)
[Us] Rated Supply Voltage	24 V DC
Supply	External source
Supply Voltage Limits	20.4...28.8 V
Inrush Current	30 A
Power Consumption In W	6.5 W
Number Of Pages	Limited by internal memory capacity
Processor Frequency	333 MHz
Memory Description	Application memory 16 MB Back up of data 64 kB
Integrated Connection Type	1 USB 2.0 type mini B 1 USB 2.0 type A COM1 serial link - female RJ45 - RS232C/RS485 <= 115.2 kbits/s) power supply - removable screw terminal block 1 Ethernet - RJ45
Realtime Clock	Access to the PLC real-time clock

Price is "List Price" and may be subject to a trade discount – check with your local distributor or retailer for actual price.

Disclaimer: This documentation is not intended as a substitute for and is not to be used for determining suitability or reliability of these products for specific user applications

Downloadable Protocols	Modbus TCP/IP Modbus Uni-TE Third party protocols
Fixing Mode	Ø 22 mm hole
Enclosure Material	PC/PBT
Marking	With Schneider logo CE
Height	3.86 in (98.15 mm)
Width	4.65 in (118 mm)
Depth	2.18 in (55.3 mm)

Environment

Immunity To Microbreaks	10 ms
Standards	IEC 61000-6-2 IEC 61131-2 UL 1604 UL 508 FCC Class A
Product Certifications	cULus C-tick Marine UL class 1 Div2 T4A ou T5 UKCA
Ambient Air Temperature For Operation	32...122 °F (0...50 °C)
Ambient Air Temperature For Storage	-4...140 °F (-20...60 °C)
Relative Humidity	0...85 % without condensation
Operating Altitude	<= 6561.68 ft (2000 m)
Ip Degree Of Protection	IP20 IEC 60529 rear panel) IP65 IEC 60529 front panel)
Nema Degree Of Protection	NEMA 4X front panel (indoor use)
Shock Resistance	15 gn 11 ms IEC 60068-2-27
Vibration Resistance	+/- 3.5 mm 5...9 Hz) IEC 60068-2-6 1 gn 9...150 Hz) IEC 60068-2-6
Resistance To Electromagnetic Fields	9.14 V/m (10 V/m) IEC 61000-4-3

Ordering and shipping details

Category	US10MC222569
Discount Schedule	0MC2
Gtin	3606489909482
Returnability	Yes
Country Of Origin	CN

Packing Units

Unit Type Of Package 1	PCE
Number Of Units In Package 1	1
Package 1 Height	2.76 in (7.000 cm)
Package 1 Width	5.12 in (13.000 cm)

Package 1 Length	7.28 in (18.500 cm)
Package 1 Weight	18.77 oz (532.000 g)
Unit Type Of Package 2	S03
Number Of Units In Package 2	16
Package 2 Height	11.81 in (30.000 cm)
Package 2 Width	11.81 in (30.000 cm)
Package 2 Length	15.75 in (40.000 cm)
Package 2 Weight	19.84 lb(US) (8.999 kg)

Contractual warranty

Warranty 18 months

Sustainability

Green Premium™ label is Schneider Electric's commitment to delivering products with best-in-class environmental performance. Green Premium promises compliance with the latest regulations, transparency on environmental impacts, as well as circular and low-CO₂ products.

Guide to assessing product sustainability is a white paper that clarifies global eco-label standards and how to interpret environmental declarations.

[Learn more about Green Premium >](#)

[Guide to assess a product's sustainability >](#)



Transparency RoHS/REACH

Resource performance

Upgradeable Through Digital Modules
And Upgraded Components

Well-being performance

Mercury Free

Rohs Exemption Information Yes

Certifications & Standards

Reach Regulation [REACH Declaration](#)

Eu Rohs Directive Pro-active compliance (Product out of EU RoHS legal scope)

China Rohs Regulation [China RoHS declaration](#)

Environmental Disclosure [Product Environmental Profile](#)

Weee The product must be disposed on European Union markets following specific waste collection and never end up in rubbish bins.

Circularity Profile [End of Life Information](#)

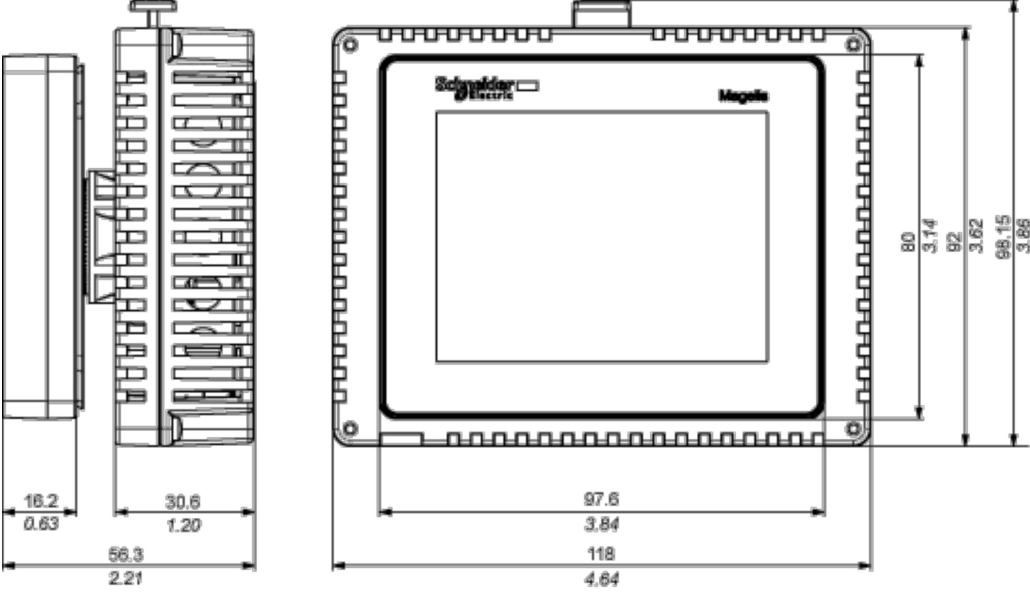
California Proposition 65 WARNING: This product can expose you to chemicals including: Lead and lead compounds, which is known to the State of California to cause cancer and birth defects or other reproductive harm. For more information go to www.P65Warnings.ca.gov

Dimensions Drawings

Display and Rear Modules

Dimensions

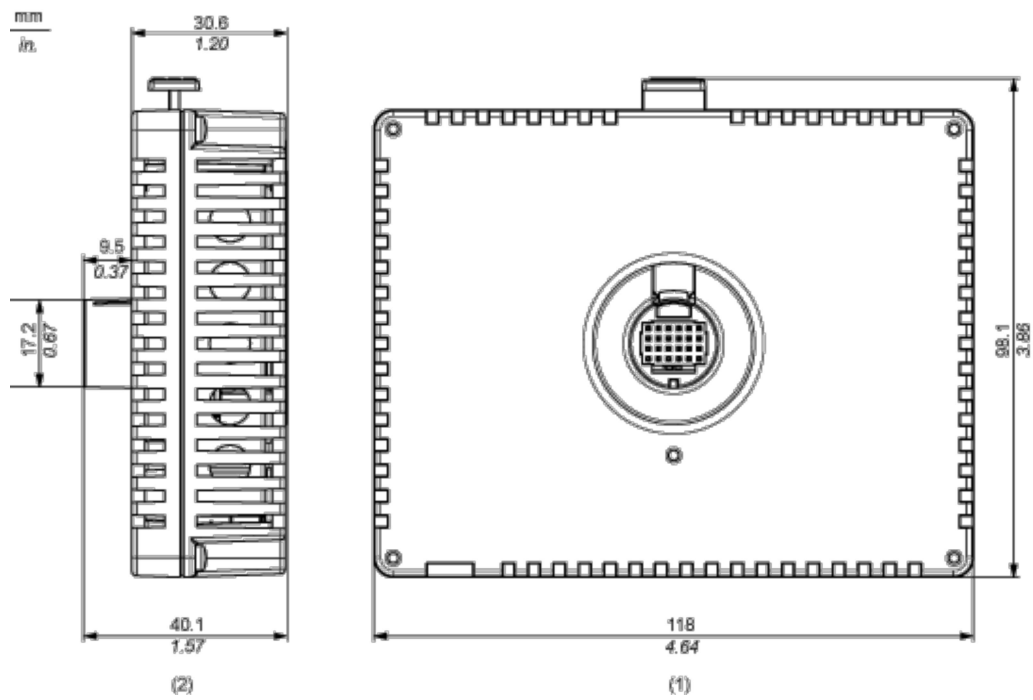
mm
in.



- (1) Right Side
- (2) Front

Rear Module

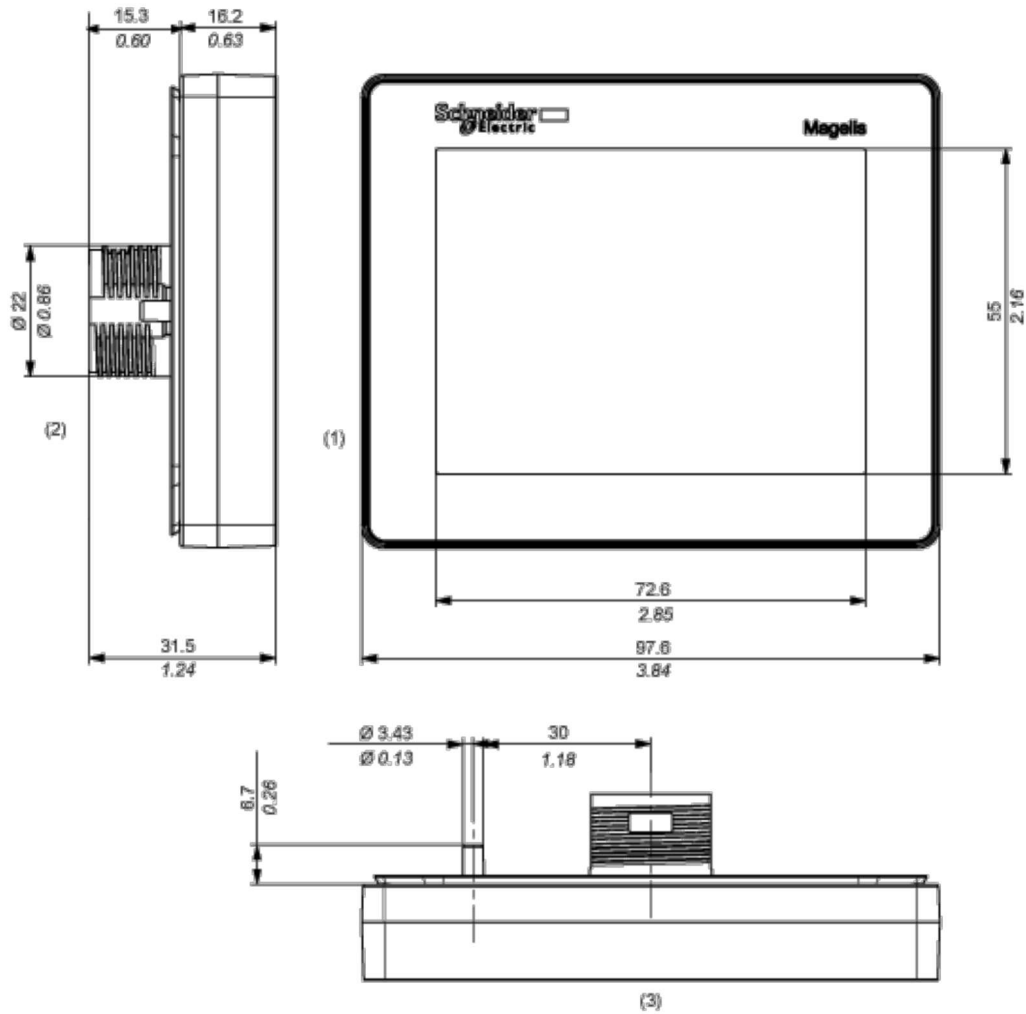
Dimensions



Display Module

Dimensions

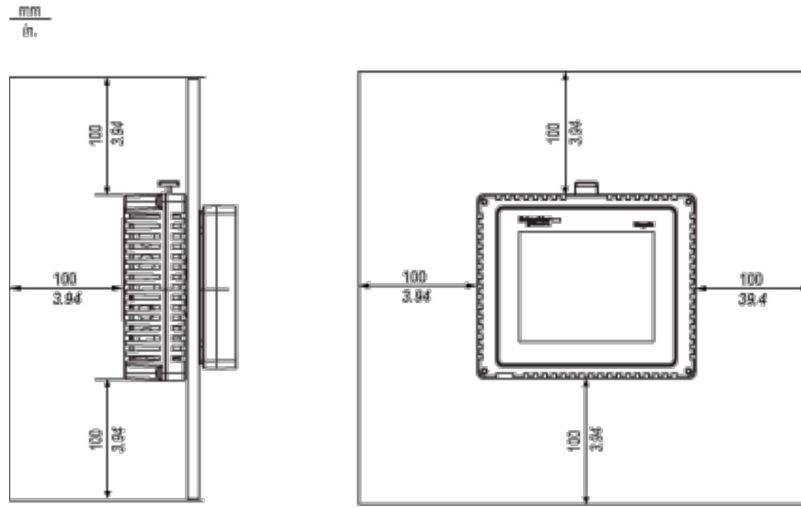
mm
in.



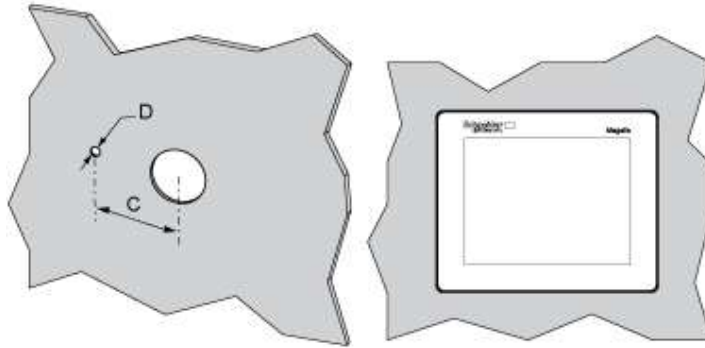
- (1) Front
- (2) Right Side
- (2) Top

Mounting and Clearance

Clearance



Panel Cut-out Dimensions



C (mm)	C (in.)	D (mm)	D (in.)
+0	+0	+0	+0
30.00	1.18	4.00	0.15
-0.20	-0.007	-0.20	-0.007

NOTE: With the tee option, the rotating torque that can be supported by the display module is 6 Nm (53.10 in-lb).