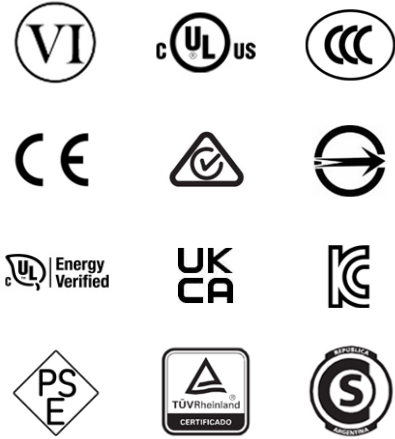


PSA15R-120P6(H)-R-C2



15W Interchangeable Wall Plug Adapter



Key Features

- Double Insulated
- Field Changeable AC Plugs – sold separately
- DOE Level VI Compliant
- ErP 2009/125/EC (EU 2019/1782)
- Class B EMI
- Limited Power Source (LPS)

Applications

- Wireless Communications
- Portable Equipment
- Peripherals
- Networking

Description

Phihong's PSA15R-120P6(H)-R-C2 is a highly efficient and compact power adapter designed to meet the diverse needs of modern electronic devices. With its universal input voltage range of 90V to 264V AC, it offers flexibility for use in various regions worldwide without requiring additional converters. Delivering a stable 12 volts DC output at a maximum current of 1.25 amps, this adapter ensures reliable power delivery for a wide array of applications, ranging from consumer electronics to industrial equipment.

Its compact design makes it ideal for space-constraint areas, while its robust construction and adherence to international safety standards guarantee both efficiency and safety in operation. With features such as overvoltage, overcurrent, and short-circuit protection, the PSA15R-120P6(H)-R-C2 prioritizes the safety of both the adapter itself and the devices it powers. Compliance with UL/cUL, CE, UKCA, FCC, and RoHS further affirm its quality and safe operation, making it a preferred choice for powering electronic devices with peace of mind.

PSA15R-120P6(H)-R-C2

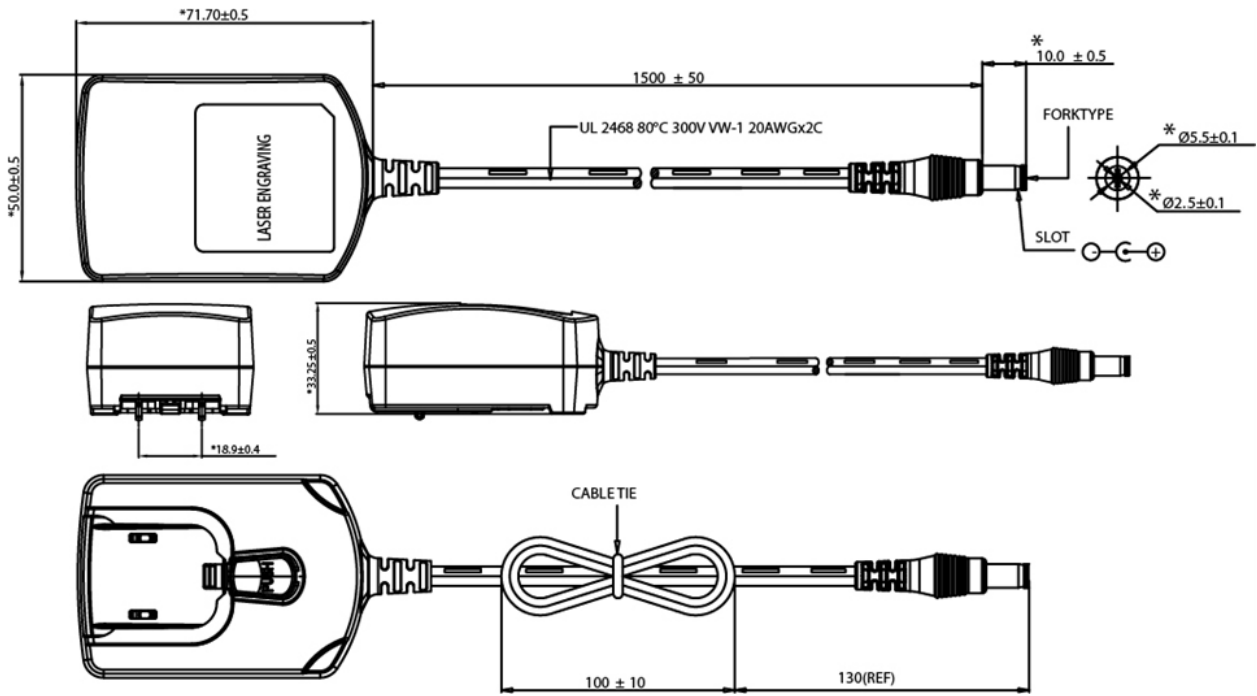
Specifications¹

Model		PSA15R-120P6(H)-R-C2 ²
Output	DC Output Voltage	12.0V
	Max Current	1.25A
	Output Power	15.0W
	Regulation	± 5% Line & Load
	Ripple & Noise P-P(max) ²	100mV
Input	AC Input Voltage Range	90 to 264VAC
	AC Input Frequency	47 to 63Hz
	AC Input Current	0.5A (RMS) max for 120Vac/max load 0.25A (RMS) max for 240Vac/max load
	AC Inrush Current	30A max for 120VAC, 60A max for 240VAC (Cold start at ambient 25°C, full load)
	No Load Power Consumption at 115VAC & 230VAC Input	0.031W at 115VAC 0.054W at 230VAC
	115VAC Average Efficiency ³	86.3%
	230VAC Average Efficiency ³	85.6%
	230VAC 10% Load Efficiency ³	77.5%
	Leakage Current	0.25mA max
Protection	Over-Voltage	<20V
	Short Circuit	The output can be shorted permanently without damage.
	Over-Current	>1.35A
Environmental	Operating Temperature	0°C to +40°C
	Non-Operating Temperature	-40° to +85°C
	Operating Humidity	90% relative humidity max
Safety Approvals and EMC (Pending)	Dielectric Withstand (HI-POT)	Primary to Secondary: 3000VAC for 1min, 10mA
	Insulation Resistance	Primary to Secondary: >7M ohm for 500VDC
	Standards	cULus 60950-1, cULus 62368-1, IEC60950-1, IEC 62368-1, AS/NZ 60950-1, TUV S-Mark, PSE, CCC, BSMI, KC
	EMI Emissions	FCC Part 15 Class B, CAN ICES-003(B)/NMB-003(B), EN 55032/CISPR 32 Class B Conducted and Radiated
	Harmonic Current Emissions	IEC 61000-3-2
	Voltage Fluctuations & Flicker	IEC 61000-3-3
	Immunity	EN 55035/CISPR 35: IEC 61000-4-2, IEC 61000-4-3, IEC 61000-4-4, IEC 61000-4-5, IEC 61000-4-6, IEC 61000-4-8, IEC 61000-4-11
Mechanical	Dimensions (L x W x H)	71.7mm (2.82in) x 50mm (1.97in) x 33.2mm (1.31in)
	Weight	115g
	DC Cord	1500mm
	DC Output Connector	5.5mm x 2.5mm x 10mm center positive
Notes	<ol style="list-style-type: none"> The specifications defined are at ambient temperature of 25C, unless otherwise specified. 20MHz bandwidth frequency oscilloscope, add a 0.1µF multilayer Cap. and Low ESR Electrolytic Cap. (10µF) at output connector terminals (nominal line voltage, full load). Efficiency is measured after 30 minutes burn-in. 	

PSA15R-120P6(H)-R-C2



Outline Drawing





Supplier's Declaration of Conformity
47 CFR § 2.1077 Compliance Information


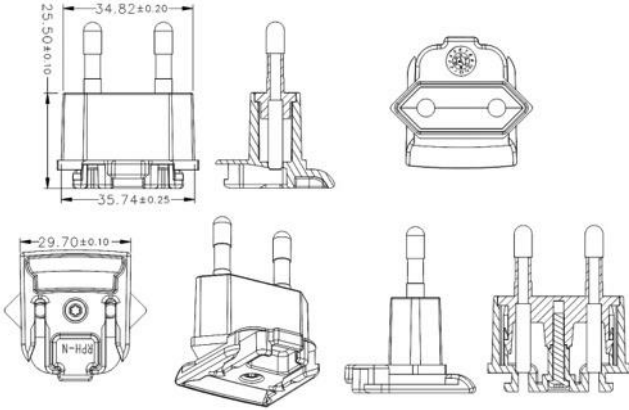

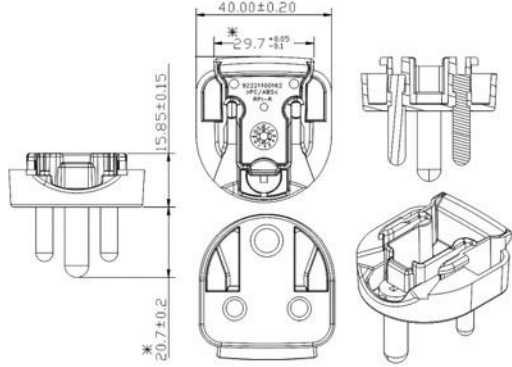

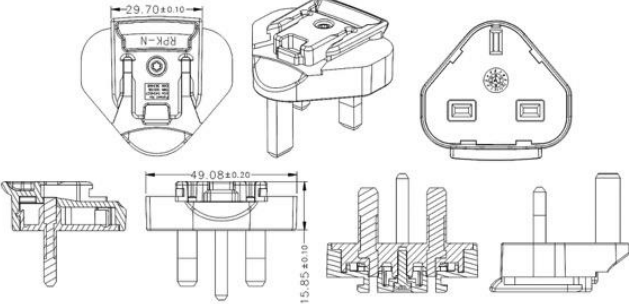

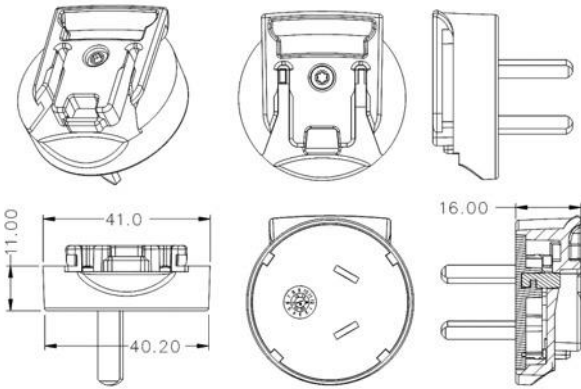
Phihong USA Corporation
47800 Fremont Boulevard
Fremont, CA 94538
Telephone: (510) 445-0100
www.phihong.com


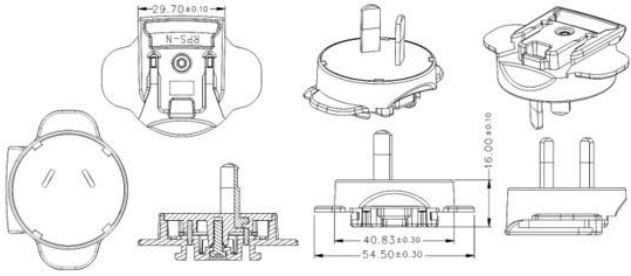

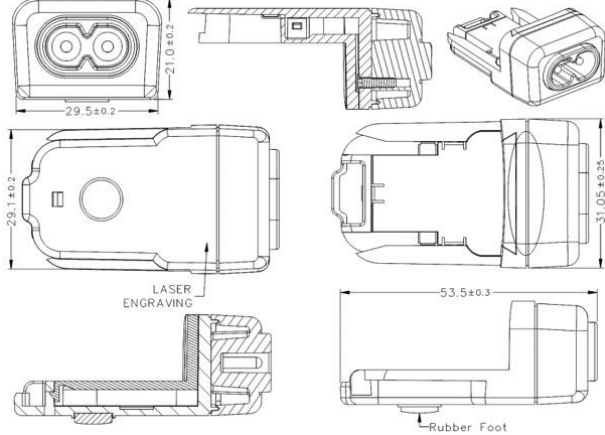
This device complies with/The devices in this product series comply with part 15 of the FCC Rules. Operation is subject to the following two conditions: (1) This device may not cause harmful interference, and (2) this device must accept any interference received, including interference that may cause undesired operation.

AC Input Clips

Sold Separately

Model	Photo	Description	Outline Drawing - mm
RPA-AB01B-H		US Clip	
RPB-AB01B-H		Brazil Clip	
RPC-AB01B-H		China Clip	
RPE-AB01B-H		Europe Clip	

Model	Photo	Description	Outline Drawing - mm
RPH-AB01B-H		Korea Clip	
RPI-AB01B-H		India Clip	
RPK-AB01B-H		UK Clip	
RPN-AB01B-H		Argentina Clip	

Model	Photo	Description	Outline Drawing - mm
RPS-AB01B-H		Australia Clip	
RPX-03-R (approved for use with 5V, 5.9V, 7.5V, and 9V models)		C8 Clip	
RBPAG-AB01B-H	RPA-AB01B-H, RPE-AB01B-H, RPK-AB01B-H and RPS-AB01B-H interchangeable clips in a plastic bag. 