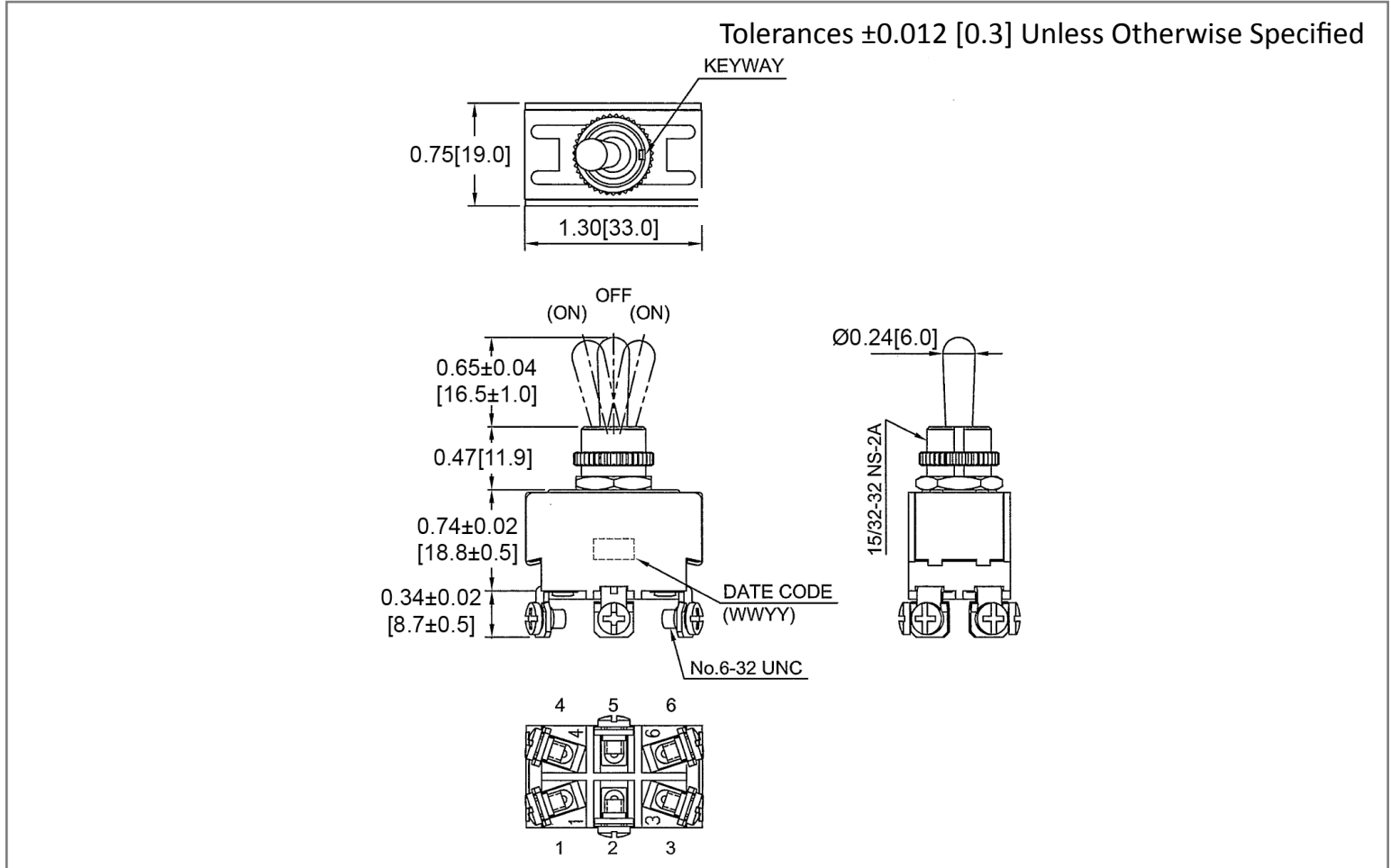
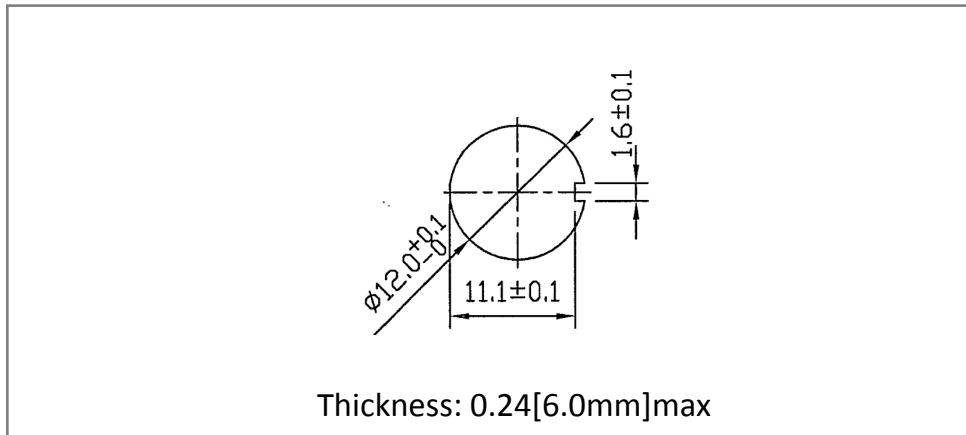


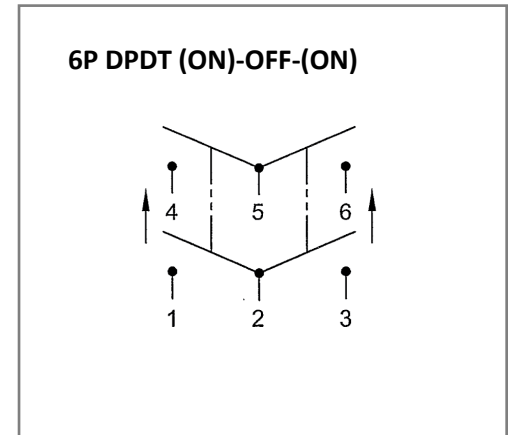
Mechanical Dimensions: Inches [mm]



Mounting Hole



Circuit Diagram



Electrical Specifications

| | |
|------------------------------|---|
| DC Rating | 21A 14V DC |
| AC Rating | 20A 125V AC, 10A 277V AC, 1 1/2HP 125-250V AC 10(4)A 125/250V AC |
| Contact Resistance | 50m ohm Max |
| Insulation Resistance | DC 500V 100M ohm Min |
| Dielectric Strength | AC 1500V 1 minute |

Material Specifications

| | |
|---|---------------------------------|
| | 1 Hex Nut Assy |
| | 1 Knurl Nut Assy |
| Operation Temperature | 1800gf±400gf |
| Ingress Protection (With WT2 Boot) | IPX6 (Above Mounted Panel Only) |

| Rev | Date of issue | Revision Notes | Designed | Approved |
|-----|---------------|-----------------|----------|----------|
| B | 06-07-2021 | Initial Drawing | RC | OF |