



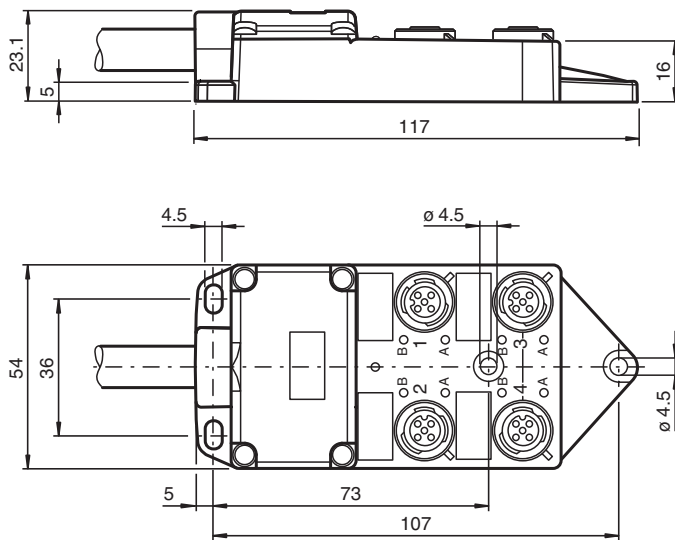
Splitter boxes V1-4A-E2-5M-PUR

- LED indicator for module supply and I/O status
- UL Recognized Component
- Suitable for drag chains and abrasion resistant

Quadruple splitter box with M12 connector with basic cable



Dimensions



Technical Data

General specifications

| | |
|----------------|---------|
| Number of pins | 4 |
| UL File Number | E191152 |

Indicators/operating means

| | |
|------------|----------------------------|
| LED green | supply voltage each module |
| LED yellow | I/O status indication |

Electrical specifications

| | | |
|-------------------|-------|---------------------------------------|
| Operating voltage | U_B | 24 V DC, max. 30 V DC |
| Operating current | I_B | ≤ 5 mA per channel indication element |

Release date: 2022-03-28 Date of issue: 2022-03-28 Filename: 259975_eng.pdf

Refer to "General Notes Relating to Pepperl+Fuchs Product Information".

Pepperl+Fuchs Group
www.pepperl-fuchs.com

USA: +1 330 486 0001
fa-info@us.pepperl-fuchs.com

Germany: +49 621 776 1111
fa-info@de.pepperl-fuchs.com

Singapore: +65 6779 9091
fa-info@sg.pepperl-fuchs.com

PF PEPPERL+FUCHS

Technical Data

| | | |
|---|---|-----|
| Current loading capacity | ≤ 2 A per channel, ≤ 4 A per plug-in station, ≤ 12 A total current per separator | |
| Output | | |
| Number/Type | 4 | |
| Compliance with standards and directives | | |
| Standard conformity | | |
| Degree of protection | EN 60529 | |
| Flammability | DIN EN 50265-2-1 | |
| Ambient conditions | | |
| Ambient temperature | housing: -25 ... 80 °C (-13 ... 176 °F) cable, flexing: -5 ... 80 °C (23 ... 176 °F) cable, fixed: -40 ... 90 °C (-40 ... 194 °F) | |
| Mechanical specifications | | |
| Connection type | 4 x socket M12 x 1 4-pin Master cable | |
| Degree of protection | IP65/IP67 | |
| Material | | |
| Contacts | Cu alloy | |
| Contact surface | Au | |
| Housing | PBT | |
| Threaded bushings | PBT | |
| Cable | PUR | |
| Seal | O-ring: NBR | |
| Core insulation | PVC | |
| Cable | | |
| Sheath diameter | Ø 6.9 mm | |
| Bending radius | > 10 x cable diameter, moving > 7.5 x cable diameter, fixed | |
| Color | black | |
| Coors | Signal line (4): 4 x 0.34 mm ² (AWG 22) Supply line (1, 3), PE (5): 3 x 0.75 mm ² (AWG 18) | |
| Conductor construction | 19 x 0.15 mm Ø and 42 x 0.15 mm Ø | |
| Length | L | 5 m |
| Drag chain suitability | | |
| Drag chain cycles | min. 1500000 | |
| Motion velocity | max. 2 m/s | |
| Traverse distance | 2 m | |
| Mass | approx. 540 g | |

Release date: 2022-03-28 Date of issue: 2022-03-28 Filename: 259975_eng.pdf

Refer to "General Notes Relating to Pepperl+Fuchs Product Information".

Pepperl+Fuchs Group
www.pepperl-fuchs.com

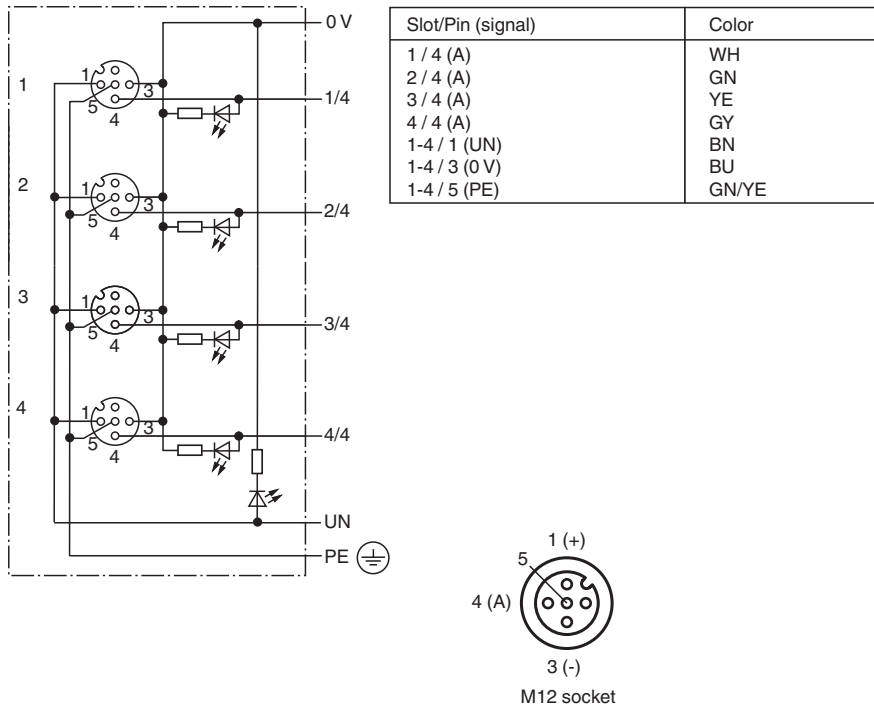
USA: +1 330 486 0001
fa-info@us.pepperl-fuchs.com

Germany: +49 621 776 1111
fa-info@de.pepperl-fuchs.com

Singapore: +65 6779 9091
fa-info@sg.pepperl-fuchs.com

 **PEPPERL+FUCHS**

Connection



Accessories

| | | |
|--|--------------------------|--|
| | MH 05-SACB-4 | Mounting aid for splitter boxes for DIN rail |
| | MH V1-BIT M12 | plug-in cap M12 |
| | MH V1-SCREWDRIVER | torque screwdriver (0.6 Nm) |
| | VAZ-V1-B3L | Blind plug for M12 sockets |

Release date: 2022-03-28 Date of issue: 2022-03-28 Filename: 259975_eng.pdf