

7500 series manifold

7500-MAN-MV-01



- Low cost, compact design, easy to use
- Manual valve, no electrical power requirement
- Rugged, corrosion-resistant housing
- Purge and pressurization valving in one device

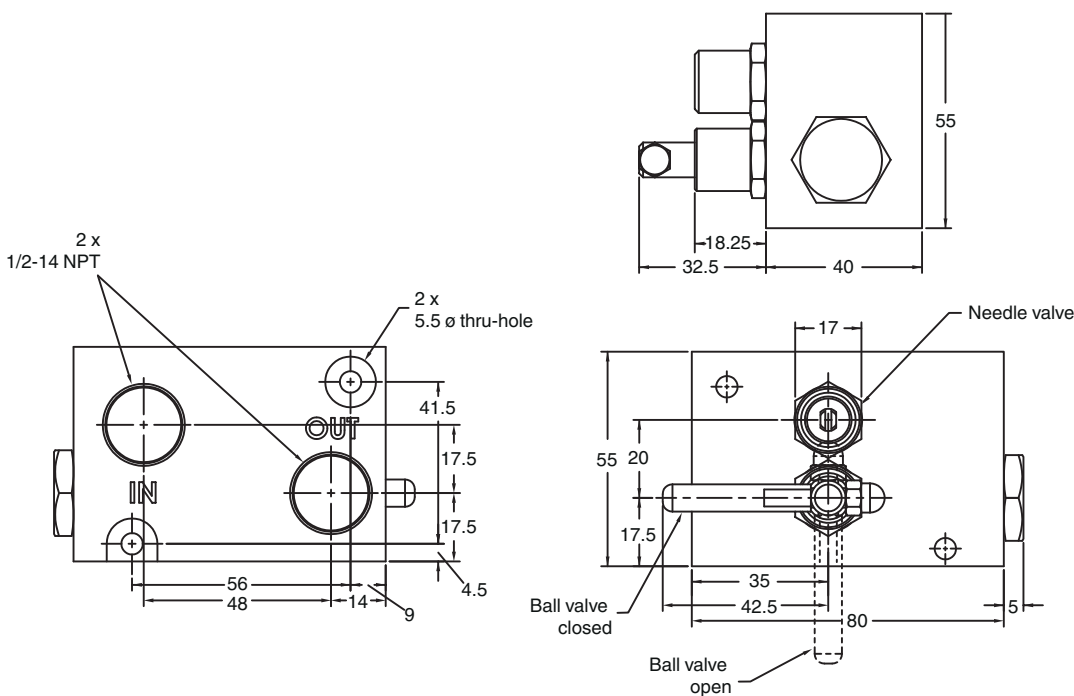
7500 series purge and pressurization system manual manifold



Function

The 7500-MAN-MV-01 manifold combines in one compact housing a ball valve for purging and a needle valve for pressurizing an enclosure. The ball valve has a handle for easy actuation. To provide security and prevent tampering, the needle valve requires a slot-head screwdriver to set the enclosure pressure. The 7500-MAN-MV-01 manifold can be used with 7500 series or 5500 series purge and pressurization systems.

Dimensions



Release date: 2022-07-04 Date of issue: 2022-07-04 Filename: 70110809_eng.pdf

Refer to "General Notes Relating to Pepperl+Fuchs Product Information".

Pepperl+Fuchs Group
www.pepperl-fuchs.com

USA: +1 330 486 0002
pa-info@us.pepperl-fuchs.com

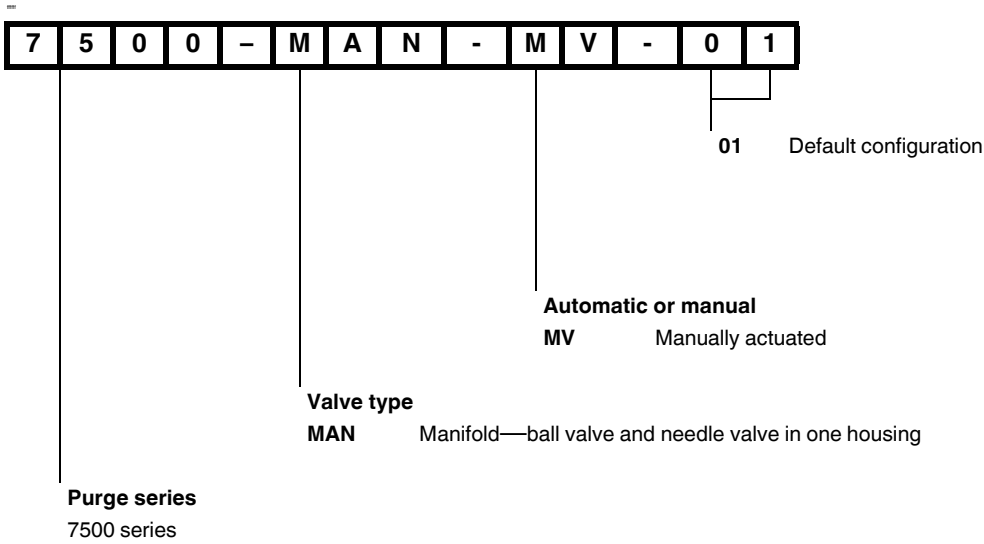
Germany: +49 621 776 2222
pa-info@de.pepperl-fuchs.com

Singapore: +65 6779 9091
pa-info@sg.pepperl-fuchs.com



Technical Data

General specifications	
Equipment architecture	max. enclosure size 450 ft ³ (12.7 m ³)
Series	7500
Hazardous environment	gas or dust
Pneumatic parameters	
Protective gas supply	compressed air or inert gas, 5 µm filter, free from oil
Pressure requirement	10 ... 120 psig (0.7 ... 8.2 bar)
Purge flow rate	pressurization valve : Cv (flow coefficient) = 0.4 purging valve : Cv (flow coefficient) = 1.4
Connections	inlet/outlet : 1/2 inch NPTF
Ambient conditions	
Ambient temperature	-40 ... 70 °C (-40 ... 158 °F)
Storage temperature	-40 ... 80 °C (-40 ... 176 °F)
Mechanical specifications	
Degree of protection	Type 4X / IP66
Material	Gasket material : Bisco® HT-800 medium cellular silicone
Mass	< 1.8 kg (4 lb)
Dimensions	see dimensions



Release date: 2022-07-04 Date of issue: 2022-07-04 Filename: 70110809_eng.pdf