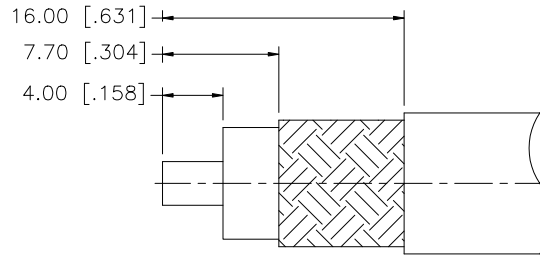
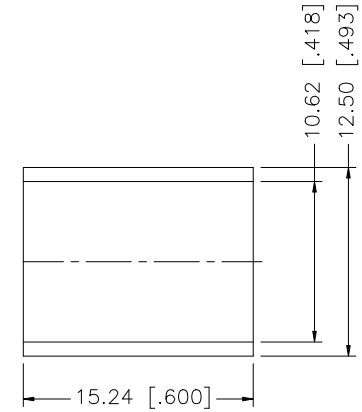
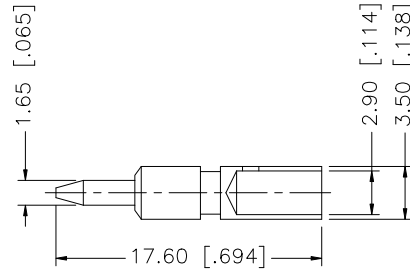
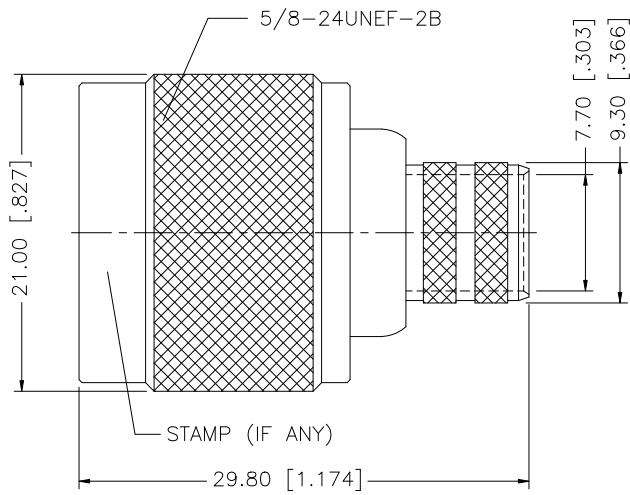


REV.	DATE	ECR NO.	DESCRIPTION
A	02/08/03	-	UPDATE DRAWING FORMAT
B	02/23/06	-	MODIFY FERRULE DIAMETERS
C	05/22/06	-	MODIFY FERRULE LENGTH
D	05/27/08	100021	REVISE CONTACT PIN (ITEM 5) PLATING TO "GOLD"



RECOMMENDED
CABLE STRIPPING DIM'S

NOTE:

1. CRIMPED FERRULE HEX CRIMP SIZE .429"
2. CRIMPED CONTACT PIN HEX CRIMP SIZE .118"

DESCRIPTION	MATERIAL	FINISH	QTY	DO NOT SCALE DRAWING	APPROVALS	DATE	Amphenol Connex							
8					DRAWN	G.R.S.	05/27/08	PART DESCRIPTION N CRIMP PLUG (FOR LMR400, B9913 CABLE)						
7					CHECKED									
6	FERRULE	COPPER	NEXCOTE	1	ISSUED			PART NO. 172102H243						
5	CONTACT PIN	BRASS	GOLD	1	SHEET	1 OF 1								
4	RETAINER RING	SUS 304	NATURAL	1	CAD FILE	C:/172/172102H243.DWG	DWG. NO.	172102H243.DWG	REV.	D	SIZE	A	SCALE	NA
3	GASKET	SILICONE	RED	1										
2	INSULATOR	TEFLON	NATURAL	1										
1	SHELL/BODY	BRASS	NEXCOTE	1										

UNLESS OTHERWISE SPECIFIED DIMENSIONS ARE IN MILLIMETERS. DIMENSIONS IN [] ARE IN INCHES AND FOR CUSTOMER REFERENCE ONLY.

UNLESS OTHERWISE SPECIFIED TOLERANCES FOR MILLIMETERS ARE:
0.5 - 8mm ± 0.20mm
8 - 30mm ± 0.40mm
30 - 120mm ± 0.50mm

UNLESS OTHERWISE SPECIFIED TOLERANCES FOR INCHES ARE:
.020 - .315 = ± 0.007"
.315 - 1.180 = ± 0.015"
1.180 - 4.724 = ± 0.020"