



Background suppression sensor RLK23-8-H-1000-IR/31/116

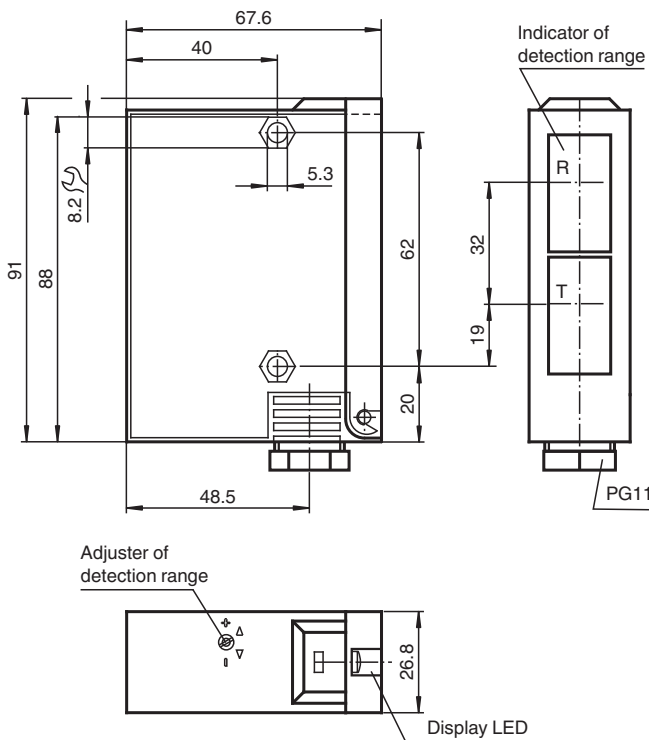


- Adjustable background suppression
- Infrared light
- Sturdy plastic housing
- Optical surface made of scratch-resistant glass

Background suppression sensor



Dimensions

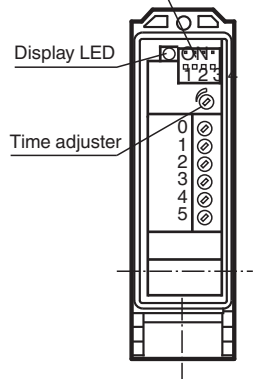
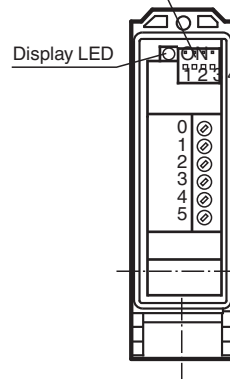


Terminal compartment
RL23-8-H-1000
RLK23-8-H-1000

Terminal compartment
RL23-8-H-2000
RLK23-8-H-2000

Programming
switch light/dark

Programming
switch light/dark;
time functions



Technical Data

General specifications

Detection range	50 ... 1000 mm
Detection range min.	50 ... 150 mm

Release date: 2024-02-01 Date of issue: 2024-02-02 Filename: 419481_eng.pdf

Refer to "General Notes Relating to Pepperl+Fuchs Product Information".

Pepperl+Fuchs Group
www.pepperl-fuchs.com

USA: +1 330 486 0001
fa-info@us.pepperl-fuchs.com

Germany: +49 621 776 1111
fa-info@de.pepperl-fuchs.com

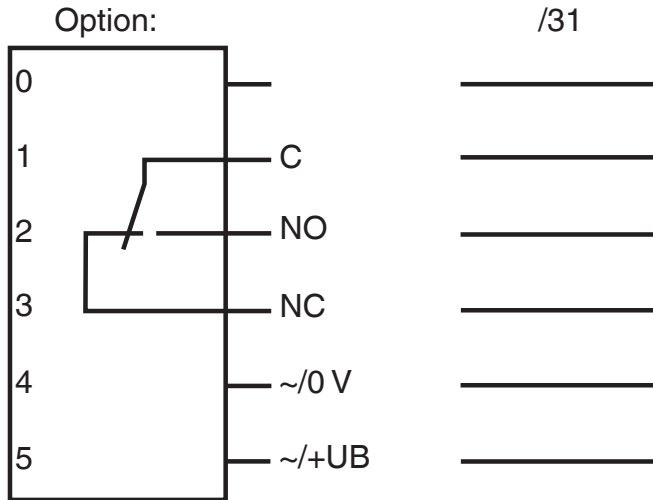
Singapore: +65 6779 9091
fa-info@sg.pepperl-fuchs.com

PF PEPPERL+FUCHS

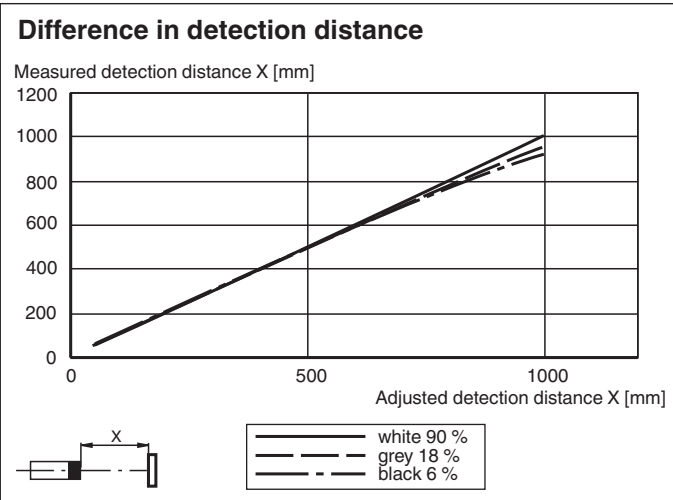
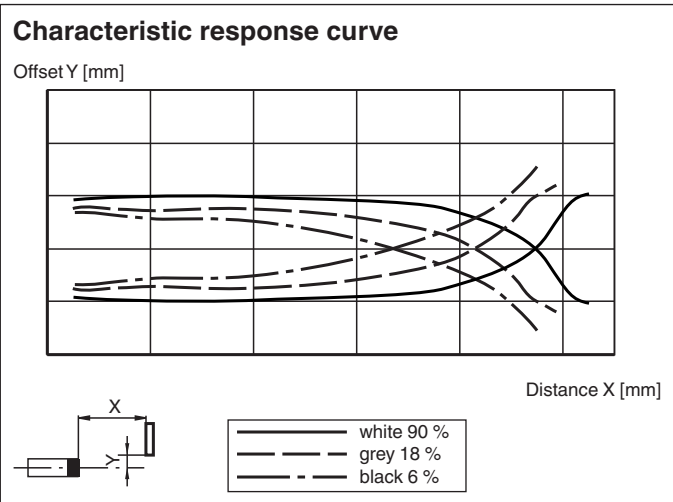
Technical Data

Detection range max.		50 ... 1000 mm
Light source		IREd
Light type		modulated infrared light
Black-white difference (6 %/90 %)		< 10 %
Diameter of the light spot		25 mm at 1000 mm sensor range
Opening angle		1.5 °
Ambient light limit		12000 Lux
Functional safety related parameters		
MTTF _d		850 a
Mission Time (T _M)		20 a
Diagnostic Coverage (DC)		0 %
Indicators/operating means		
Function indicator		LED yellow, lights up with receiver lit
Control elements		Programming switch for light/dark switching
Control elements		Sensing range adjuster
Electrical specifications		
Operating voltage	U _B	12 ... 240 V AC/DC (automatic adaption to +UB)
Power consumption	P ₀	3 VA
Output		
Switching type		light/dark on
Signal output		1 relay output, 1 alternator
Switching voltage		max. 240 V AC
Switching current		max. 2 A
Switching frequency	f	10 Hz
Response time		50 ms
Conformity		
Product standard		EN 60947-5-2
Approvals and certificates		
UL approval		cULus
CCC approval		Certified by China Compulsory Certification (CCC)
Ambient conditions		
Ambient temperature		-20 ... 60 °C (-4 ... 140 °F)
Storage temperature		-20 ... 75 °C (-4 ... 167 °F)
Mechanical specifications		
Degree of protection		IP65
Connection		terminal compartment
Material		
Housing		Terluran® GV15
Optical face		glass
Mass		180 g
Dimensions		
Height		91 mm
Width		26.8 mm
Depth		67.6 mm

Connection Assignment



Characteristic Curve



Release date: 2024-02-01 Date of issue: 2024-02-02 Filename: 419481_eng.pdf

Light-on/dark-on changeover switch

 <p>ON 1 2 3 4</p>	<p>Dark on</p>
 <p>ON 1 2 3 4</p>	<p>Light on</p>

Release date: 2024-02-01 Date of issue: 2024-02-02 Filename: 419481_eng.pdf

Refer to "General Notes Relating to Pepperl+Fuchs Product Information".

Pepperl+Fuchs Group
www.pepperl-fuchs.com

USA: +1 330 486 0001
fa-info@us.pepperl-fuchs.com

Germany: +49 621 776 1111
fa-info@de.pepperl-fuchs.com

Singapore: +65 6779 9091
fa-info@sg.pepperl-fuchs.com