



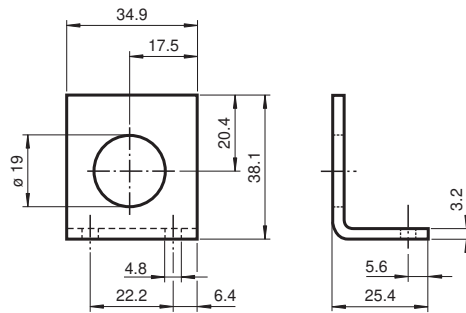
Mounting bracket

AB-18

- Retainer for all cylindrical sensors with M18 thread

Mounting aid

Dimensions



Technical Data

General specifications

Inside diameter 18 mm

Mechanical specifications

Material Stainless steel

Dimensions 38.1 mm x 34.9 mm x 25.4 mm

Release date: 2022-06-28 Date of issue: 2022-06-28 Filename: 090012_eng.pdf

Refer to "General Notes Relating to Pepperl+Fuchs Product Information".

Pepperl+Fuchs Group
www.pepperl-fuchs.com

USA: +1 330 486 0001
fa-info@us.pepperl-fuchs.com

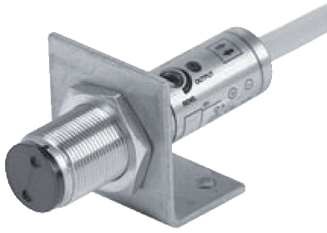
Germany: +49 621 776 1111
fa-info@de.pepperl-fuchs.com

Singapore: +65 6779 9091
fa-info@sg.pepperl-fuchs.com

PF PEPPERL+FUCHS

Mounting

Using the mounting aid cylindrical sensors are fast and easy to fit. Use the nuts included with the sensor for attachment.



Sensor fitted inside the mounting aid