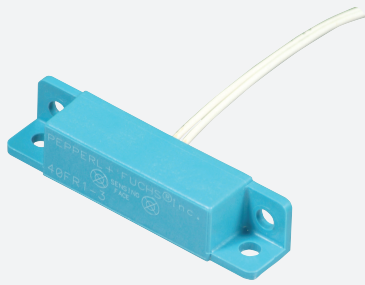


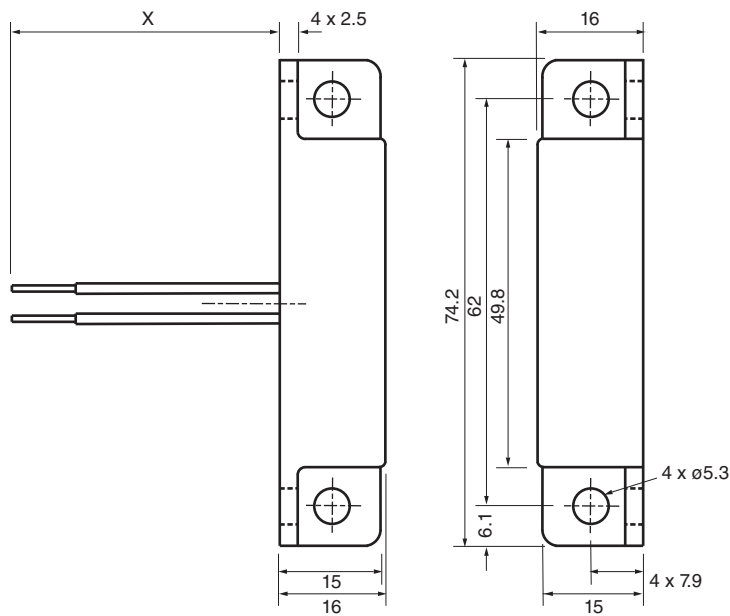
Magnetic field sensor

40FR1-3



- Magnetically actuated reed switch
- Hermetically sealed contacts
- AC/DC compatibility
- Matching permanent magnet

Dimensions



Technical Data

General specifications

Switching function		Normally open (NO)
Output type		Reed Contact
Rated operating distance	s_n	19.8 mm
Installation		non-flush
Output polarity		AC/DC
Output type		2-wire AC/DC
Mechanical life		3×10^7 operations

Nominal ratings

Operating voltage	U_B	100 V DC, 250 mA 115 V AC, 250 mA
Hysteresis	H	≥ 2.54 mm

Release date: 2024-01-26 Date of issue: 2024-01-26 Filename: 450020_eng.pdf

Refer to "General Notes Relating to Pepperl+Fuchs Product Information".

Pepperl+Fuchs Group
www.pepperl-fuchs.com

USA: +1 330 486 0001
fa-info@us.pepperl-fuchs.com

Germany: +49 621 776 1111
fa-info@de.pepperl-fuchs.com

Singapore: +65 6779 9091
fa-info@sg.pepperl-fuchs.com

pf PEPPERL+FUCHS

Technical Data

Contact resistance	0.15 Ω
Insulation resistance	min. 100 M Ω at 200 V
Dielectric strength	200 V AC, 60 Hz
Release point	\leq max. 43 mm
Functional safety related parameters	
MTTF	25034 a
MTTF _d	50068 a
Electrical specifications	
Electrical rating	AC supply: 10 VA, 132 V AC, 750 mA DC supply: 10 W, 100 V DC, 300 mA
Ambient conditions	
Ambient temperature	-40 ... 125 °C (-40 ... 257 °F)
Mechanical specifications	
Connection type	cable PVDF , 914 mm according to Mil-W-81044/9
Core cross section	0.5 mm ²
Housing material	Polycarbonate
Sensing face	Polycarbonate
Degree of protection	IP68
Dimensions	
Width	16 mm
Depth	16 mm
Length	74.2 mm

Connection

