

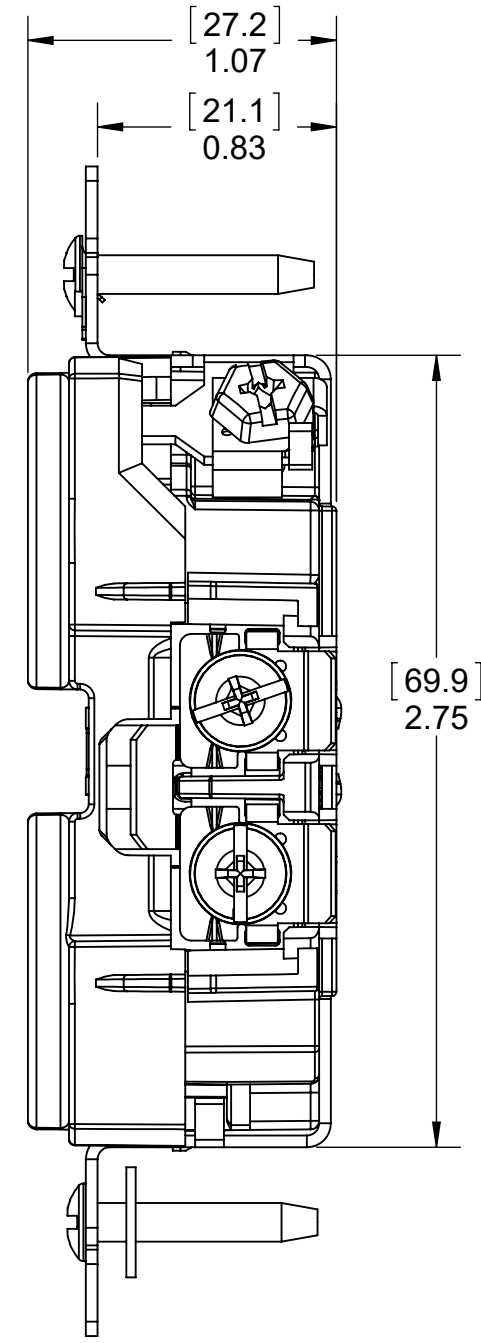
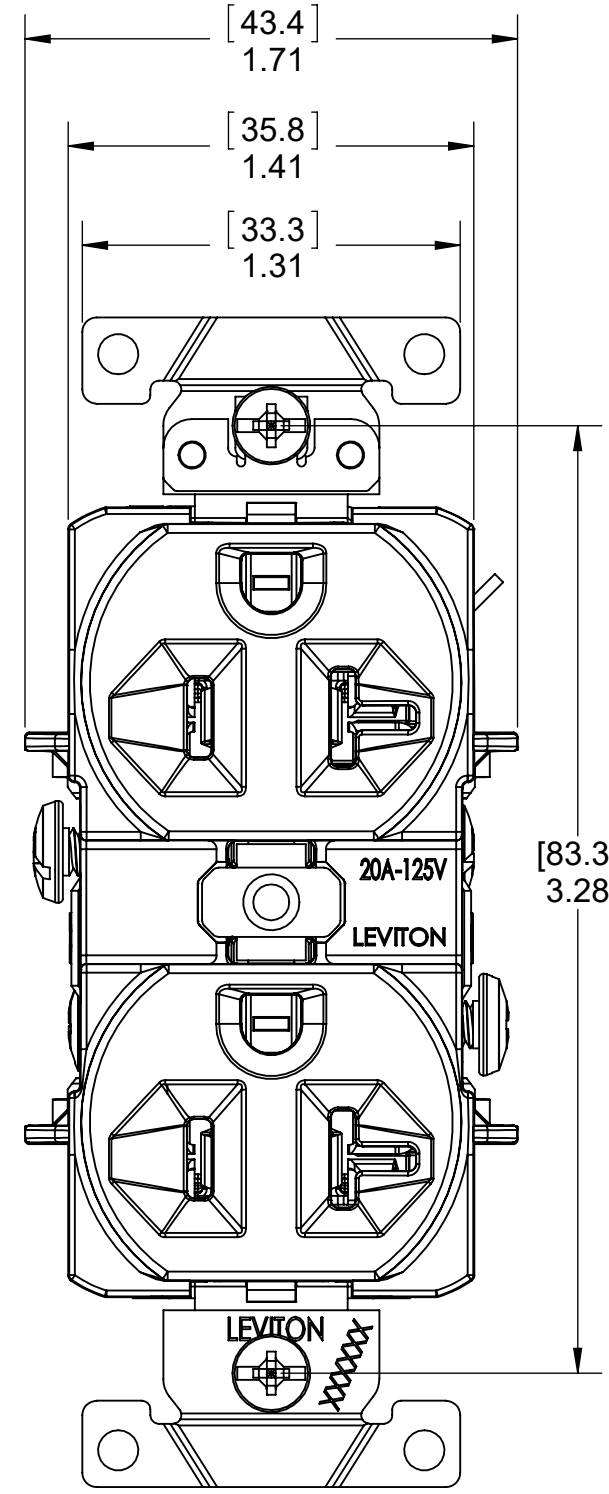
4

3

2

1

# STYLE 1 (IF)



Basic Dash	Rating	Type
OCR15-xxx	15A-125V	Duplex – SW, IF, STS
OCR20-xxx	20A-125V	Duplex – SW, IF, STS
0BR15-xxx	15A-125V	Duplex – B/SW, IF, STS
0BR20-xxx	20A-125V	Duplex – B/SW, IF, STS
WBR15-xxx	15A-125V	Duplex - B/SW, IF, BTS
WBR20-xxx	20A-125V	Duplex– B/SW, IF, BTS
C5262-xxx	15A-125V	Duplex – B/SW, IF, BTS
C5362-xxx	20A-125V	Duplex – B/SW, IF, BTS
W5262-xxx	15A-125V	Duplex – B/SW, IF, BTS
W5362-xxx	20A-125V	Duplex – B/SW, IF, BTS
C8200-xxx	15A-125V	Duplex – B/SW, IF, BTS
C8300-xxx	20A-125V	Duplex – B/SW, IF, BTS

B/SW- Back and Side Wire  
 SW - Side wire only  
 IF -Indented Face  
 BTS-Brass terminal screw  
 STS-Steel terminal screw

STATUS: In Work

**LEVITON**  
 The information in this document is the exclusive **PROPRIETARY** property of **LEVITON MFG. CO., INC.** It is disclosed with the understanding that acceptance or review by the recipient constitutes an undertaking by the recipient: (1) to hold this information in strict confidence. (2) not to disclose, duplicate, copy, or use the information, in whole or in part, for any purpose other than that for which disclosed.  
 Copyright 2010. Unpublished. All Rights Reserved.

UNLESS OTHERWISE SPECIFIED: DO NOT SCALE DRAWING. ALL DIMENSIONS ARE IN INCHES. ALL ANGLES ARE IN DEGREES.

TOLERANCES	
INCH	METRIC
.XX ± .01	.X ± .2 mm
.XXX ± .005	.XX ± .1 mm

ANGLES: ± 1/2°

THIRD ANGLE PROJECTION

ALL PRINTED COPIES ARE UNCONTROLLED

TITLE: **DUPLEX RECEPTACLE**

DWN BY	VB	09/22/2016	ENGRG	-	-
CHK BY	-	-	MFG	-	-

DWG NO. **ORA4993-D02**

SIZE	PROJECT NO. PROJ-02715	REV
<b>C</b>	SCALE:1:2	<b>1</b>

SHEET 4 OF 13

4

3

2

1

D

D

C

C

B

B

A

A